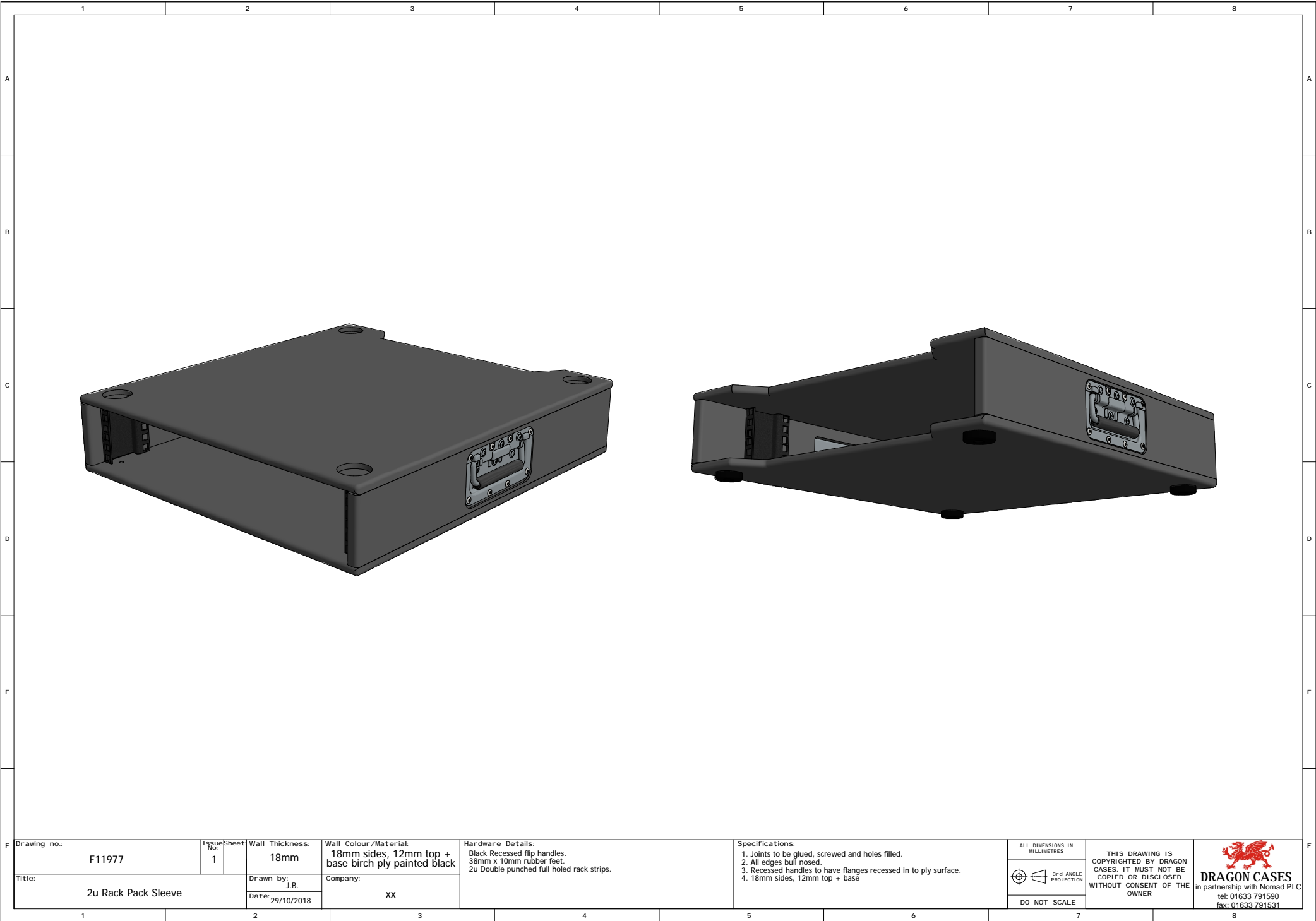


|                                      |                      |                                |   |  |  |   |  |   |
|--------------------------------------|----------------------|--------------------------------|---|--|--|---|--|---|
| Drawing no:<br><b>F11977</b>         | Issue/Sheet<br>1 / 1 | Wall Thickness:<br><b>18mm</b> | Wall Colour/Material:<br><b>18mm sides, 12mm top + base birch ply painted black</b> | Hardware Details:<br>Black Recessed flip handles.<br>38mm x 10mm rubber feet.<br>3u Double punched full holed rack strips. | Specifications:<br>1. Joints to be glued, screwed and holes filled.<br>2. All edges bull nosed.<br>3. Recessed handles to have flanges recessed in to ply surface.<br>4. 18mm sides, 12mm top + base | ALL DIMENSIONS IN MILLIMETRES<br>3rd ANGLE PROJECTION<br>DO NOT SCALE | THIS DRAWING IS COPYRIGHTED BY DRAGON CASES. IT MUST NOT BE COPIED OR DISCLOSED WITHOUT CONSENT OF THE OWNER | <br><b>DRAGON CASES</b><br>in partnership with Nomad PLC<br>tel: 01633 791590<br>fax: 01633 791531 |
| Title:<br><b>2u Rack Pack Sleeve</b> |                      | Drawn by:<br>J.B.              | Company:<br><b>XX</b>   |  |  |   |  |   |
|                                      |                      | Date:<br>29/10/2018            |   |  |  |   |  |   |



Drawing no: **F11977**  
 Title: **2u Rack Pack Sleeve**


Issue Sheet No: **1**

Wall Thickness: **18mm**  
 Drawn by: **J.B.**  
 Date: **29/10/2018**

Wall Colour/Material: **18mm sides, 12mm top + base birch ply painted black**  
 Company: **XX**

Hardware Details:  
 Black Recessed flip handles.  
 38mm x 10mm rubber feet.  
 2u Double punched full holed rack strips.

Specifications:  
 1. Joints to be glued, screwed and holes filled.  
 2. All edges bull nosed.  
 3. Recessed handles to have flanges recessed in to ply surface.  
 4. 18mm sides, 12mm top + base

ALL DIMENSIONS IN MILLIMETRES  
  
 DO NOT SCALE

THIS DRAWING IS COPYRIGHTED BY DRAGON CASES. IT MUST NOT BE COPIED OR DISCLOSED WITHOUT CONSENT OF THE OWNER

  
**DRAGON CASES**  
 in partnership with Nomad PLC  
 tel: 01633 791590  
 fax: 01633 791531