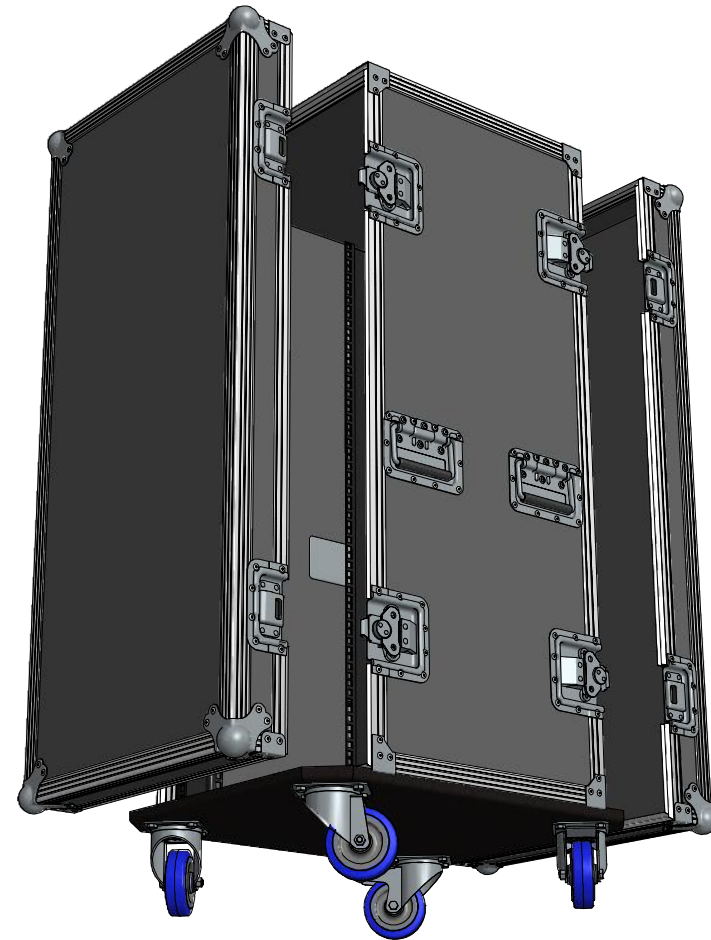


External Dimensions (excluding hardware): 516w x 633D x 1096H



Parts List	
QTY	DESCRIPTION
8	T-Bracket B1131
8	L-Bracket 4043
8	Large Ball Corner 4101
4	Recessed Flip Handle 34082 + Backplate 34093
8	Large Padlocking Butterfly Catch L935/530/10
2	100mm Castor 3470 swivel
2	100mm Castor 3477 braked
1	Full Sized 18mm Ply Castor Board
4	Double Full Hole Rackstrip R0883
1	Dragon Badge

Drawing no: F1924USTD	Issue/Sheet No: 1 / 1	Wall Thickness: 10mm	Wall Colour/Material: laminate/phenol faced ply	Hardware Details: See Parts List	Specifications: 1. Aluminium extrusions riveted through wall material every 100mm. 2. Bifurcated rivets to be used wherever possible. 3. All hardware zinc plated. 4. No foam. 5. Rack rails fitted approximately 20mm off front + rear edges of sleeve. 6. Estimated weight - 44.7kgs.	ALL DIMENSIONS IN MILLIMETRES 3/4 ANGLE PROJECTOR DO NOT SCALE	THIS DRAWING IS COPYRIGHTED BY DRAGON CASES. IT MUST NOT BE COPIED OR DISCLOSED WITHOUT CONSENT OF THE OWNER	 DRAGON CASES in partnership with Nomad PLC tel: 01633 791590 fax: 01633 791531
Title: 24u Standard Rack Flightcase with 440mm Sleeve		Drawn by: J.B.	Company: AN Other					
		Date: 13/10/2008						



External Dimensions (excluding hardware): 516w x 633D x 1096H

Parts List	
QTY	DESCRIPTION
8	T-Bracket B1131
8	L-Bracket 4043
8	Large Ball Corner 4101
4	Recessed Flip Handle 34082 + Backplate 34093
8	Large Padlocking Butterfly Catch L935/530/10
2	100mm Castor 3470 swivel
2	100mm Castor 3477 braked
1	Full Stized 18mm Ply Castor Board
4	Double Full Hole Rackstrip R0883
1	Dragon Badge

Drawing no:	Issue No:	Sheet:	Wall Thickness:	Wall Colour/Material:	Hardware Details:	Specifications: 1. Aluminium extrusions riveted through wall material every 100mm. 2. Bifurcated rivets to be used wherever possible. 3. All hardware zinc plated. 4. No foam. 5. Rack rails fitted approximately 20mm off front + rear edges of sleeve. 6. Estimated weight - 44.7kgs.	ALL DIMENSIONS IN MILLIMETRES  DO NOT SCALE	THIS DRAWING IS COPYRIGHTED BY DRAGON CASES. IT MUST NOT BE COPIED OR DISCLOSED WITHOUT CONSENT OF THE OWNER	 DRAGON CASES in partnership with Nomad PLC tel: 01633 791590 fax: 01633 791531
F1924USTD	1	2	10mm	laminate/phenol faced ply	See Parts List				
Title:	Drawn by:	Date:	Company:						
24u Standard Rack Flightcase with 440mm Sleeve	J.B.	13/10/08	AN Other						