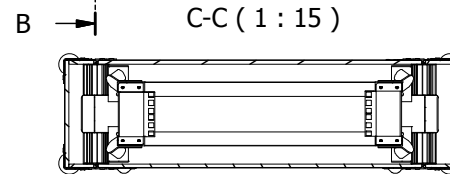
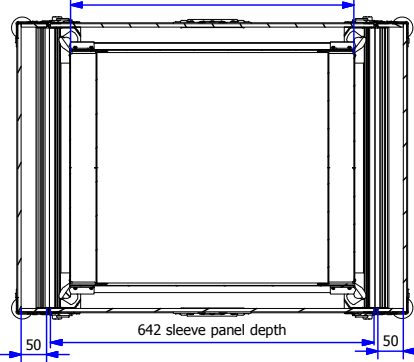
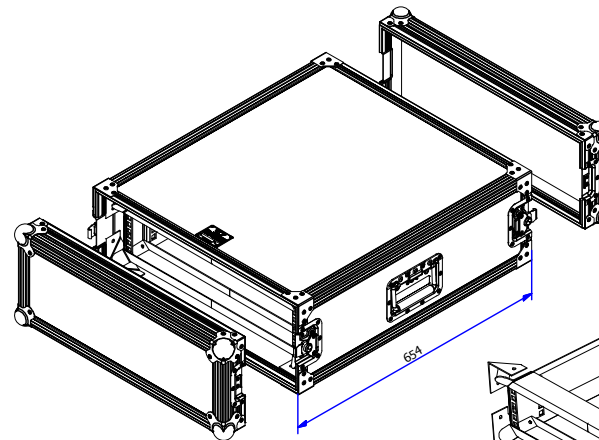


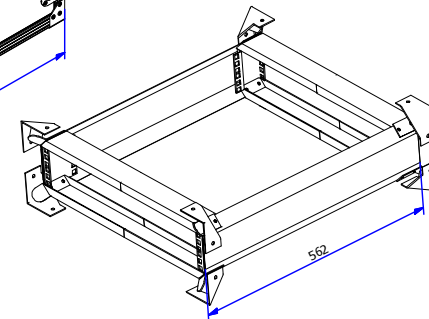
A-A (1 : 15)
562 subframe depth



C-C (1 : 15)



NOTES
50kg Shockmounts

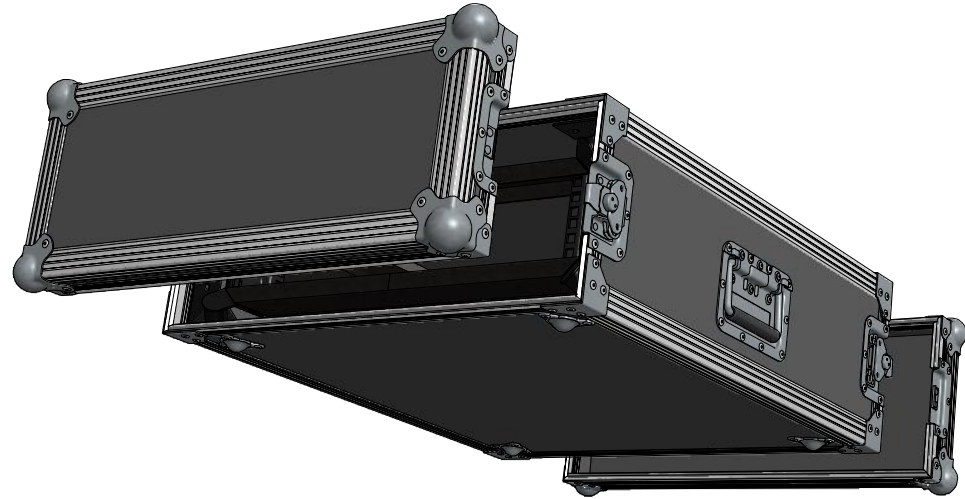


External Dimensions (excluding hardware): 575W x 775D x 215H

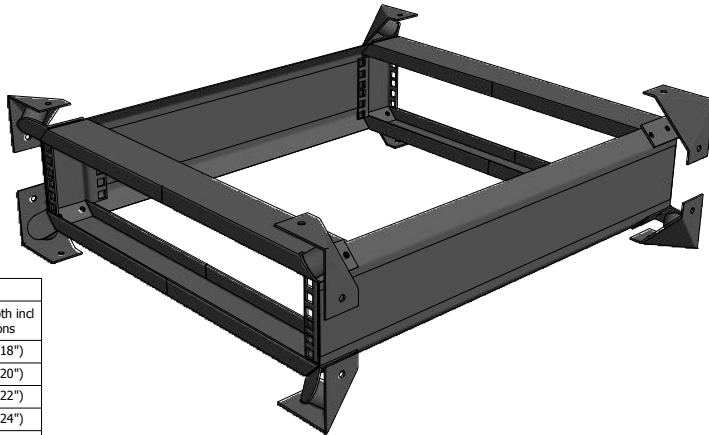
Available Sizes	
Subframe Depth	Sleeve Depth incl extrusions
362mm (14")	459mm (18")
407mm (16")	504mm (20")
462mm (18")	559mm (22")
507mm (20")	604mm (24")
562mm (22")	659mm (26")
607mm (24")	704mm (28")
662mm (26")	759mm (30")
707mm (28")	804mm (32")
762mm (30")	859mm (34")
807mm (32")	904mm (36")

Parts List	
QTY	DESCRIPTION
8	L-Bracket 4043
8	T-Bracket B1131
8	Medium Ball Corner 4120
4	Med Padlocking Butterfly Catch L908/915/07
2	Recessed Flip Handle 34082
4	Steel Foot 4936
1	Shockmount Rack System
1	Dragon Badge

Drawing no: F192USM562	Issue: 1	Sheet: 1/4	Wall Thickness: 7mm	Wall Colour/Material: Laminate/phenol faced ply	Hardware Details: See parts list.	Specifications: 1. Aluminium extrusions riveted through wall material every 100mm. 2. Bifurcated rivets to be used wherever possible. 3. All hardware zinc plated. 4. LD18 foam buffers. 5. Front + rear rack rails.	ALL DIMENSIONS IN MILLIMETRES 3/4 ANGLE PROJECTION DO NOT SCALE	THIS DRAWING IS COPYRIGHTED BY DRAGON CASES. IT MUST NOT BE COPIED OR DISCLOSED WITHOUT CONSENT OF THE OWNER	 DRAGON CASES in partnership with Nomad PLC tel: 01633 791590 fax: 01633 791531
Title: 2u Shockmount Rack Flightcase with 562mm Subframe			Drawn by: JB	Company: XXX					
			Date: 31/10/08						





Sub Frame



NOTES
50kg Shockmounts

External Dimensions (excluding hardware): 575W x 775D x 215H

Available Sizes	
Subframe Depth	Sleeve Depth incl extrusions
362mm (14")	459mm (18")
407mm (16")	504mm (20")
462mm (18")	559mm (22")
507mm (20")	604mm (24")
562mm (22")	659mm (26")
607mm (24")	704mm (28")
662mm (26")	759mm (30")
707mm (28")	804mm (32")
762mm (30")	859mm (34")
807mm (32")	904mm (36")

Drawing no: F192USM562	Issue: 1	Sheet: 2 / 4	Wall Thickness: 7mm	Wall Colour/Material: Laminate/phenol faced ply	Hardware Details: See parts list.	Specifications: 1. Aluminium extrusions riveted through wall material every 100mm. 2. Bifurcated rivets to be used wherever possible. 3. All hardware zinc plated. 4. LD18 foam buffers. 5. Front + rear rack rails.	ALL DIMENSIONS IN MILLIMETRES  DO NOT SCALE	THIS DRAWING IS COPYRIGHTED BY DRAGON CASES. IT MUST NOT BE COPIED OR DISCLOSED WITHOUT CONSENT OF THE OWNER	 DRAGON CASES in partnership with Nomad PLC tel: 01633 791590 fax: 01633 791531
Title: Zu Shockmount Rack Flightcase with 562mm Subframe		Drawn by: JB	Company: xxx		Date: 31/10/08				