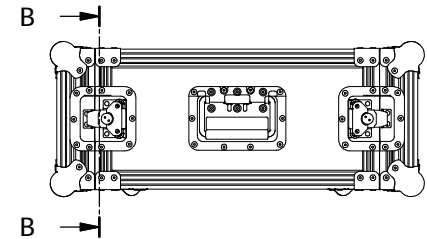
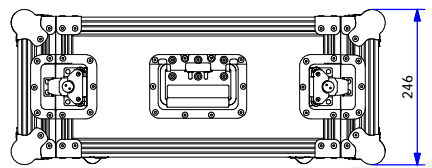
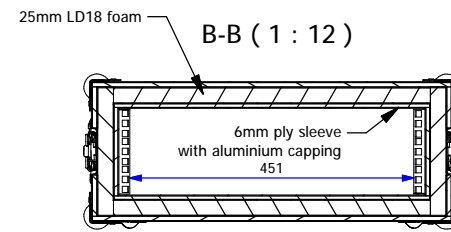
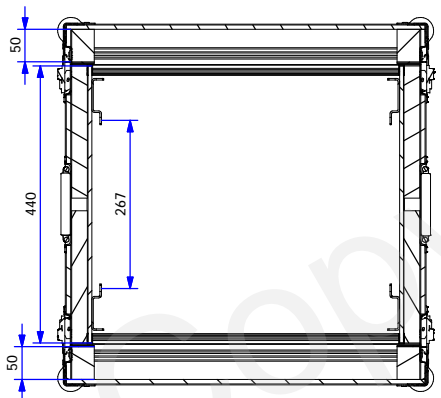


A-A (1 : 12)




B-B (1 : 12)



External Dimensions (excluding hardware): 573W x 573D x 222H

Parts List	
QTY	DESCRIPTION
16	L-Bracket 4043
8	Medium Ball Corner 4120
2	Recessed Flip Handle 34082
4	Medium Padlocking Butterfly Catch L908/915/07
4	Steel Foot 4936
4	Double Rackstrip R0883
1	Dragon Badge

Drawing no.: F193UFS	Issue No: 1	Sheet: 2	Wall Thickness: 7mm	Wall Colour/Material: Laminate/Phenol faced Birch Plywood	Hardware Details: See parts list.	Specifications: 1. Aluminium extrusions riveted through wall material every 100mm. 2. Bifurcated rivets to be used wherever possible. 3. All hardware zinc plated. 4. 6mm Ply enclosure suspended with 25mm high density foam. 5. 3 units of Steel punched rackstrips front + rear. 6. Estimated weight - 15.9kgs.	ALL DIMENSIONS IN MILLIMETRES 3rd ANGLE PROJECTION DO NOT SCALE	THIS DRAWING IS COPYRIGHTED BY DRAGON CASES. IT MUST NOT BE COPIED OR DISCLOSED WITHOUT CONSENT OF THE OWNER	 DRAGON CASES in partnership with Nomad PLC tel: 01633 791590 fax: 01633 791531
Title: 3u Foam Suspended Rack Flightcase with 440mm Sleeve	Drawn by: J.B.	Date: 23/01/2012	Company: XXX						