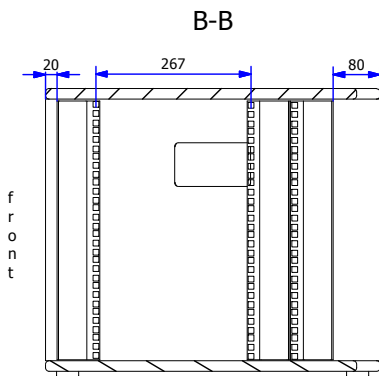
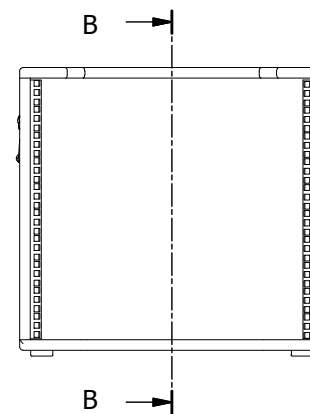
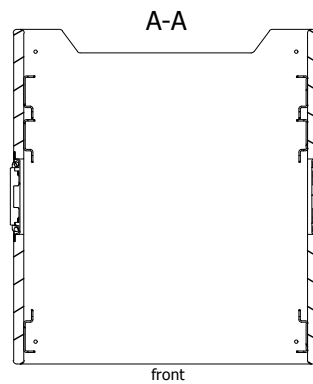
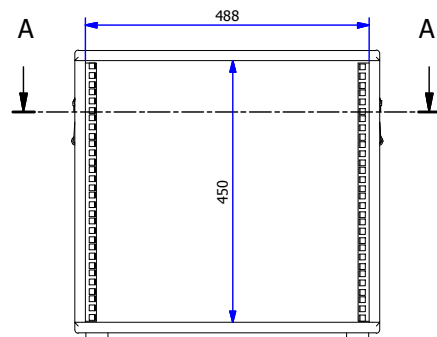
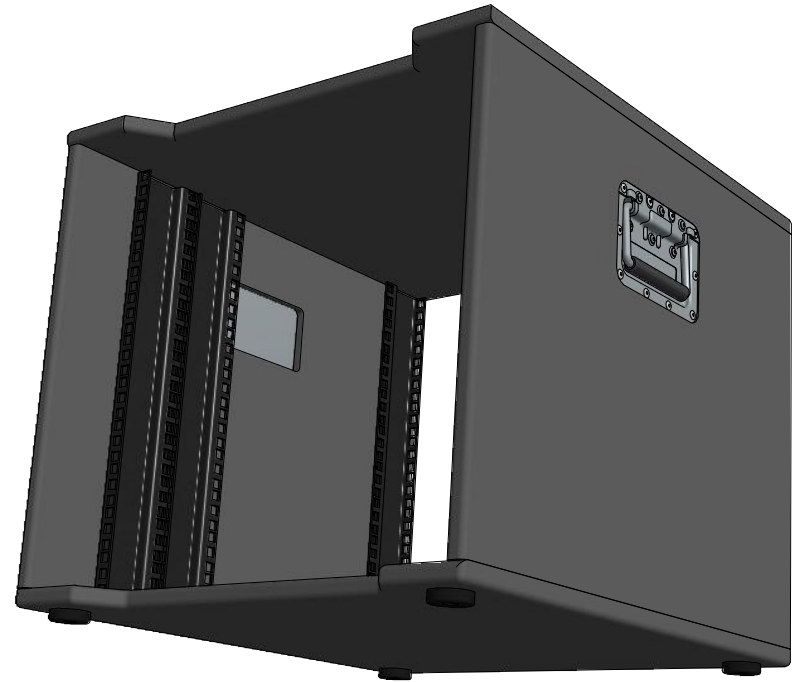
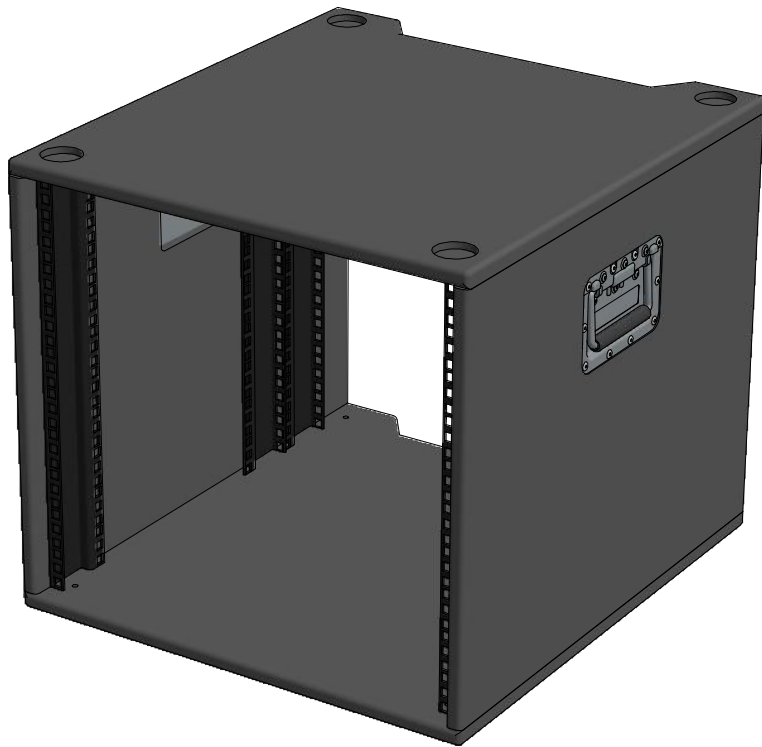


42mm holes  
7mm deep



Drawing no: <b>F6750</b>	Issue No: <b>1</b>	Sheet: <b>1</b>	Wall Thickness: <b>18mm</b>	Wall Colour/Material: <b>18mm birch ply painted black</b>	Hardware Details: <b>Black Recessed flip handles. 38mm x 10mm rubber feet. 10u Double punched full holed rack strips.</b>	Specifications: <b>1. Joints to be glued, screwed and holes filled. 2. All edges bull nosed. 3. Recessed handles to have flanges recessed in to ply surface.</b>	ALL DIMENSIONS IN MILLIMETRES  DO NOT SCALE	THIS DRAWING IS COPYRIGHTED BY DRAGON CASES. IT MUST NOT BE COPIED OR DISCLOSED WITHOUT CONSENT OF THE OWNER	 <b>DRAGON CASES</b> in partnership with Nomad PLC tel: 01633 791590 fax: 01633 791531
Title: <b>10u Rack Pack Sleeve</b>			Drawn by: <b>J.B.</b>	Company: <b>XX</b>	Date: <b>28/08/2009</b>				



Drawing no:	F6750	Issue No:	1	Sheet:	1	Wall Thickness:	18mm	Wall Colour/Material:	18mm birch ply painted black	Hardware Details:	Black Recessed flip handles. 38mm x 10mm rubber feet. 10u Double punched full holed rack strips.	Specifications:	1. Joints to be glued, screwed and holes filled. 2. All edges bull nosed. 3. Recessed handles to have flanges recessed in to ply surface.	ALL DIMENSIONS IN MILLIMETRES	THIS DRAWING IS COPYRIGHTED BY DRAGON CASES. IT MUST NOT BE COPIED OR DISCLOSED WITHOUT CONSENT OF THE OWNER	 <b>DRAGON CASES</b> in partnership with Nomad PLC tel: 01633 791590 fax: 01633 791531
Title:	10u Rack Pack Sleeve	Drawn by:	J.B.	Company:	XX	Date:	28/8/09							 3rd ANGLE PROJECTION DO NOT SCALE		