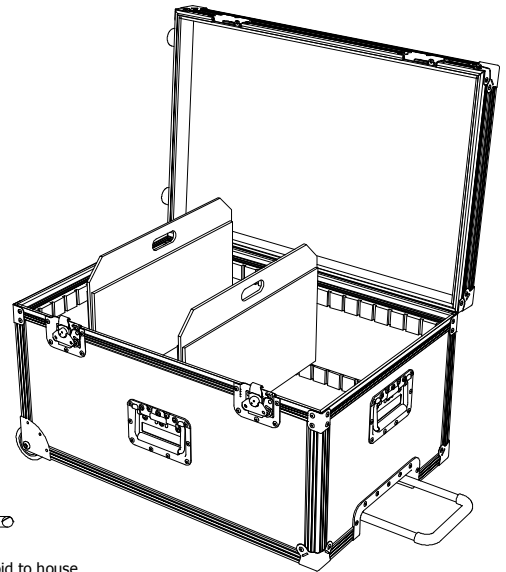
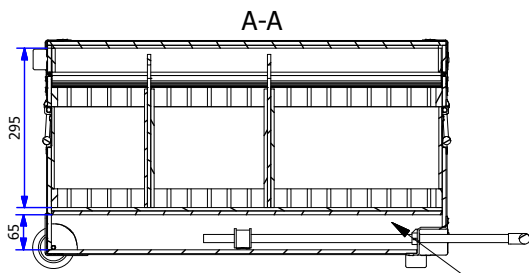
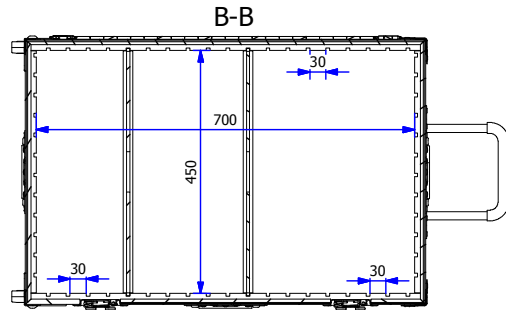
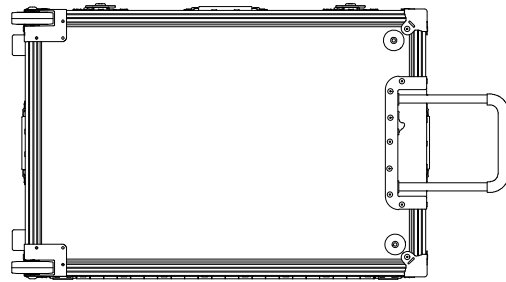



Parts List			
QTY	DESCRIPTION	TYPE	FOAM
6	Large Flat Corner 4004		
8	L-Bracket 4043		
3	Recessed Flip Handle 34082		
1	Recessed Extending Handle H2017		
2	Shallow Med P/locking Butterfly Catch L908-915-07		
2	HD Strut Hinge 2524		
1	52mm Piano Hinge 2606		
1	Dragon Badge		
4	38mm Rubber Foot 4911		
2	Recessed Corner Wheel W8675HD		
4	Flexi Rail Length		
4	Flexi Rail Width		
1	False Floor		
2	Foam Box Side	LD18	6 mm
2	Foam Box End	LD18	6 mm
1	Foam Box Bottom	LD18	6 mm
2	Foam Lid Side	LD18	6 mm
2	Foam Lid End	LD18	6 mm
1	Foam Lid Bottom	LD18	6 mm



External Dimensions (excluding hardware): 741L x 491W x 396H

Void to house extending handle.

Drawing no:	FRFT4	Issue/Sheet:	1 / 4	Wall Thickness:	7mm	Wall Colour/Material:	Black Astraboard	Hardware Details:	See Parts List	Specifications:	1. Aluminium extrusions riveted through wall material every 100mm. 2. Bifurcated rivets to be used wherever possible. 3. All hardware zinc plated. 4. Internal surfaces lined with 6mm LD18 foam. 5. Optional Movable 6mm ply partitions. 6. Estimated weight - 13.1kgs	ALL DIMENSIONS IN MILLIMETRES	THIS DRAWING IS COPYRIGHTED BY DRAGON CASES. IT MUST NOT BE COPIED OR DISCLOSED WITHOUT CONSENT OF THE OWNER	 DRAGON CASES in partnership with Nomad PLC tel: 01633 791590 fax: 01633 791531
Title:	Standard Rolling Flexi-Trunk 4	Drawn by:	JB	Date:	12/12/11	Company:	XXX					3rd ANGLE PERSPECTIVE		

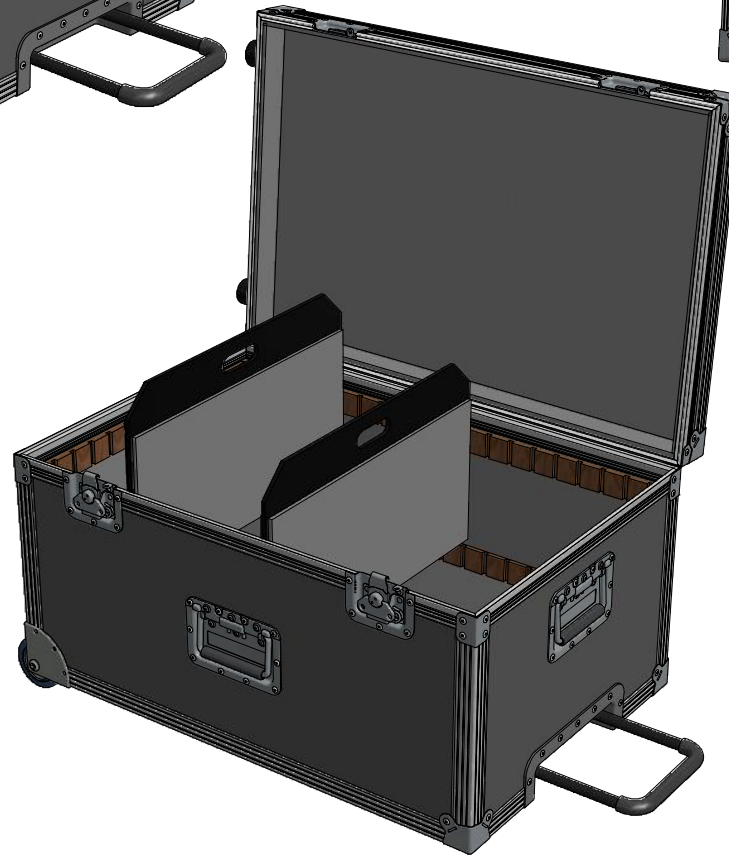
Issue/Sheet:	1 / 4	Wall Thickness:	7mm	Wall Colour/Material:	Black Astraboard	Hardware Details:	See Parts List
Drawn by:	JB	Date:	12/12/11	Company:	XXX		

Specifications:	1. Aluminium extrusions riveted through wall material every 100mm. 2. Bifurcated rivets to be used wherever possible. 3. All hardware zinc plated. 4. Internal surfaces lined with 6mm LD18 foam. 5. Optional Movable 6mm ply partitions. 6. Estimated weight - 13.1kgs
-----------------	--



ALL DIMENSIONS IN MILLIMETRES	3rd ANGLE PERSPECTIVE	DO NOT SCALE
-------------------------------	-----------------------	--------------

THIS DRAWING IS COPYRIGHTED BY DRAGON CASES. IT MUST NOT BE COPIED OR DISCLOSED WITHOUT CONSENT OF THE OWNER
--

 DRAGON CASES in partnership with Nomad PLC tel: 01633 791590 fax: 01633 791531



External Dimensions (excluding hardware): 741L x 491W x 396H

Drawing no: FRFT4		Issue: 1	Sheet: 2/4	Wall Thickness: 7mm	Wall Colour/Material: Black Astraboard	Hardware Details:	Specifications:	ALL DIMENSIONS IN MILLIMETRES	THIS DRAWING IS COPYRIGHTED BY DRAGON CASES. IT MUST NOT BE COPIED OR DISCLOSED WITHOUT CONSENT OF THE OWNER	 DRAGON CASES in partnership with Nomad PLC tel: 01633 791590 fax: 01633 791531
Title: Standard Rolling Flexi-Trunk 4		Drawn by: JB		Company: XXX			<ol style="list-style-type: none"> 1. Aluminium extrusions riveted through wall material every 100mm. 2. Bifurcated rivets to be used wherever possible. 3. All hardware zinc plated. 4. Internal surfaces lined with 6mm LD18 foam. 5. Optional Movable 6mm ply partitions. 6. Estimated weight - 13.1kgs 	 3rd ANGLE PROJECTION		
		Date: 12/12/11								