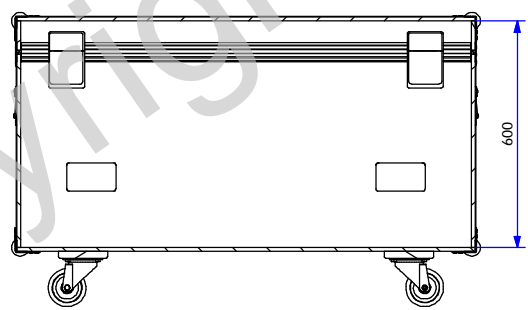
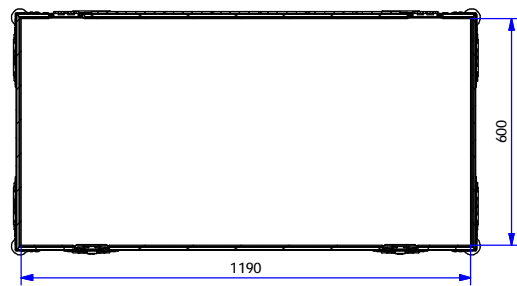


A-A



B-B



External Dimensions (excluding hardware); 1216L x 626W x 623H

Parts List	
QTY	DESCRIPTION
8	Large Ball Corner 4101
8	L-Bracket 4043
2	100mm Castor 3470 swivel
2	100mm Castor 3477 braked
2	18mm Castor Batte Bevelled + Stained
2	Large Butterfly Catch 17250S
1	52mm Plano Hinge 2606
2	Hinged Large Rec Lid Stay 270825
8	Recessed Flip Handle 34082
1	Dragon Badge

Drawing no:	FRT7
Title:	Standard Roadtrunk 7

Issue No:	1
Sheet	2

Wall Thickness:	10mm
Drawn by:	JB
Date:	08/12/2011

Wall Colour/Material:	Laminate/Phenol facedPly
Company:	AN Other

Hardware Details:	See Parts List
Specifications:	<ol style="list-style-type: none"> 1. Aluminium extrusions riveted through wall material every 100mm. 2. Bifurcated rivets to be used wherever possible. 3. All hardware zinc plated. 4. Estimated weight - 39.6kgs.

ALL DIMENSIONS IN MILLIMETRES
3rd ANGLE PROJECTION
DO NOT SCALE

THIS DRAWING IS COPYRIGHTED BY DRAGON CASES. IT MUST NOT BE COPIED OR DISCLOSED WITHOUT CONSENT OF THE OWNER



DRAGON CASES
in partnership with Nomad PLC
tel: 01633 791590
fax: 01633 791531