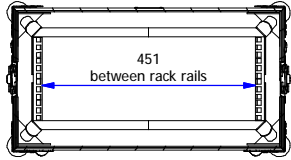
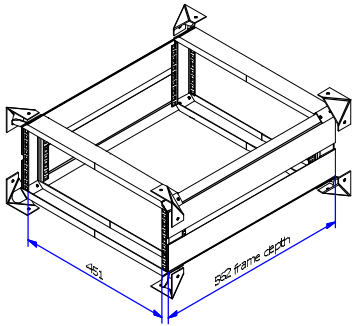


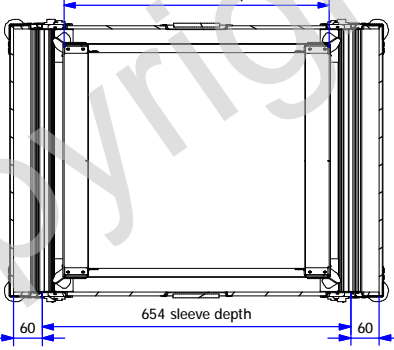
B-B ( 1 : 16 )



Subframe suspended with 8 x Anti-vibration Mounts  
(weight bearing 50kg, 90kg or 200kg)




A-A ( 1 : 16 )  
562 subframe depth



External Dimensions (excluding hardware) - 575w x 791d x 304h

Available Sizes	
Subframe Depth	Sleeve Depth
362mm (14")	454mm (18")
407mm (16")	499mm (20")
462mm (18")	554mm (22")
507mm (20")	599mm (24")
562mm (22")	654mm (26")
607mm (24")	699mm (28")
662mm (26")	754mm (30")
707mm (28")	799mm (32")
762mm (30")	854mm (34")
807mm (32")	899mm (36")

Parts List	
QTY	DESCRIPTION
8	Large Ball Corner 4101
8	L-Bracket 4043
8	T-Bracket B1131
2	Recessed Flip Handle 34082 with backplates
4	Medium Shallow Butt Catch 17295S
4	Steel Foot 4936
1	Shockmount Rack System
1	Dragon Badge

Drawing no.: F194USM562	Issue Sheet: 1	Wall Thickness: 7mm	Wall Colour/Material: Laminate/Phenol faced Birch Plywood (colour tba)	Hardware Details: See Parts List	Specifications: 1. Aluminium extrusions riveted through wall material every 100mm. 2. Bifurcated rivets to be used wherever possible. 3. All hardware zinc plated. 4. LD18 foam buffers. 5. Front + rear rack rails.	ALL DIMENSIONS IN MILLIMETRES 3rd ANGLE PROJECTION DO NOT SCALE	THIS DRAWING IS COPYRIGHTED BY DRAGON CASES. IT MUST NOT BE COPIED OR DISCLOSED WITHOUT CONSENT OF THE OWNER	 <b>DRAGON CASES</b> in partnership with Nomad Ltd tel: 01633 791590 fax: 01633 791531
Title: 4u Shockmounted Rack Flightcase with 562mm Subframe	Drawn by: JB	Date: 27/01/2012	Company: XX					

