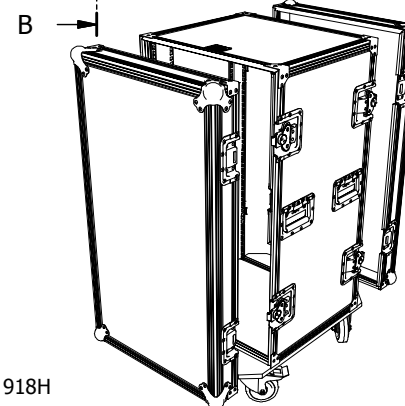
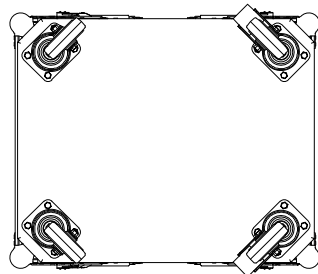
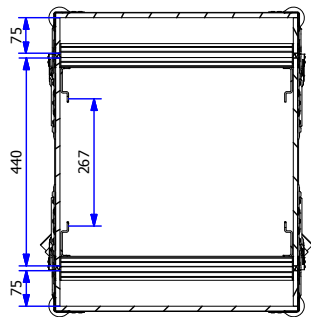



A-A ( 1 : 16 )



External Dimensions (excluding hardware): 516w x 633D x 918H

| Parts List |  |
|------------|--|
| QTY        | DESCRIPTION                                  |
| 8          | T-Bracket B1131                              |
| 8          | L-Bracket 4043                               |
| 8          | Large Ball Corner 4101                       |
| 4          | Recessed Flip Handle 34082 + Backplate 34093 |
| 1          | 18mm Ply Castor Board                        |
| 2          | 100mm Castor 3470 swivel                     |
| 2          | 100mm Castor 3477 braked                     |
| 4          | Double Full Hole Rackstrip R0883             |
| 1          | Dragon Badge                                 |
| 8          | Large Padlocking Butterfly Catch L935/530/10 |

|   |                       |                    |                                |   |   |  |   |  |   |
|---|-----------------------|--------------------|--------------------------------|---|---|--|---|--|---|
| Drawing no:<br><b>F1920USTD</b>                                 | Issue No:<br><b>1</b> | Sheet:<br><b>1</b> | Wall Thickness:<br><b>10mm</b> | Wall Colour/Material:<br><b>laminite/phenol faced ply</b> | Hardware Details:<br><b>See Parts List.</b> | Specifications:<br>1. Aluminium extrusions riveted through wall material every 100mm.<br>2. Bifurcated rivets to be used wherever possible.<br>3. All hardware zinc plated.<br>4. No foam.<br>5. Rack strips front + rear.<br>6. Estimated weight - 40.8kgs. | ALL DIMENSIONS IN MILLIMETRES<br>3/4 ANGLE PROJECTION<br>DO NOT SCALE | THIS DRAWING IS COPYRIGHTED BY DRAGON CASES. IT MUST NOT BE COPIED OR DISCLOSED WITHOUT CONSENT OF THE OWNER | <br><b>DRAGON CASES</b><br>in partnership with Nomad PLC<br>tel: 01633 791590<br>fax: 01633 791531 |
| Title:<br><b>20u Standrad Rack Flightcase with 440mm Sleeve</b> |                       |                    | Drawn by:<br><b>J.B.</b>       | Company:<br><b>AN Other</b>                               |   |  |   |  |   |
|   |                       |                    | Date:<br><b>09/10/2008</b>     |   |   |  |   |  |   |



External Dimensions (excluding hardware): 516w x 633D x 918H

| Parts List |  |
|------------|--|
| QTY        | DESCRIPTION                                  |
| 8          | T-Bracket B1131                              |
| 8          | L-Bracket 4043                               |
| 8          | Large Ball Corner 4101                       |
| 4          | Recessed Flip Handle 34082 + Backplate 34093 |
| 1          | 18mm Ply Castor Board                        |
| 2          | 100mm Castor 3470 swivel                     |
| 2          | 100mm Castor 3477 braked                     |
| 4          | Double Full Hole Rackstrip R0883             |
| 1          | Dragon Badge                                 |
| 8          | Large Padlocking Butterfly Catch L935/530/10 |

|  |           |         |                 |                           |                   |   |  |  |   |
|--|-----------|---------|-----------------|---------------------------|-------------------|---|--|--|---|
| Drawing no:                                    | Issue No: | Sheet:  | Wall Thickness: | Wall Colour/Material:     | Hardware Details: | Specifications:   | ALL DIMENSIONS IN MILLIMETRES<br><br>DO NOT SCALE | THIS DRAWING IS COPYRIGHTED BY DRAGON CASES. IT MUST NOT BE COPIED OR DISCLOSED WITHOUT CONSENT OF THE OWNER | <br><b>DRAGON CASES</b><br>in partnership with Nomad PLC<br>tel: 01633 791590<br>fax: 01633 791531 |
| F1920USTD                                      | 1         | 2       | 10mm            | laminate/phenol faced ply | See Parts List.   | 1. Aluminium extrusions riveted through wall material every 100mm.<br>2. Bifurcated rivets to be used wherever possible.<br>3. All hardware zinc plated.<br>4. No foam.<br>5. Rack strips front + rear.<br>6. Estimated weight - 40.8kgs. |  |  |   |
| Title:   | Drawn by: | Date:   | Company:        |                           |                   |   |  |  |   |
| 20u Standrad Rack Flightcase with 440mm Sleeve | J.B.      | 9/10/08 | AN Other        |                           |                   |   |  |  |   |