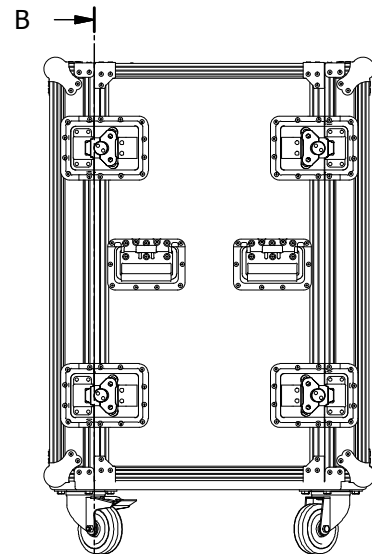
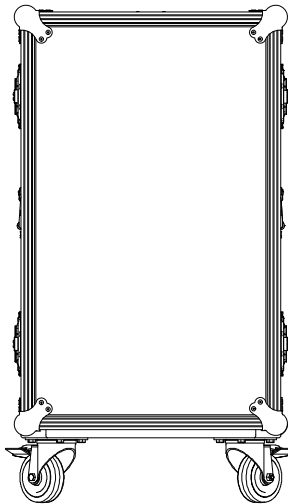
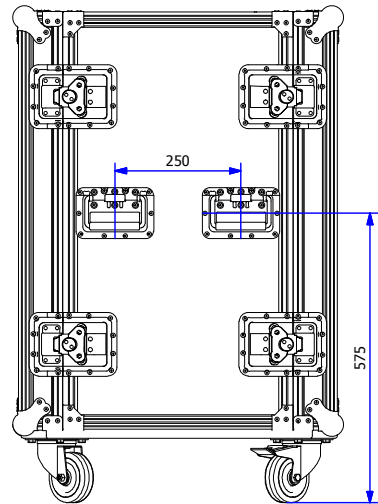
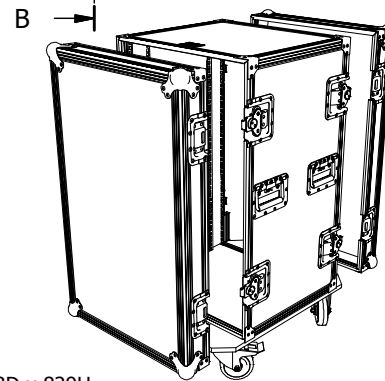
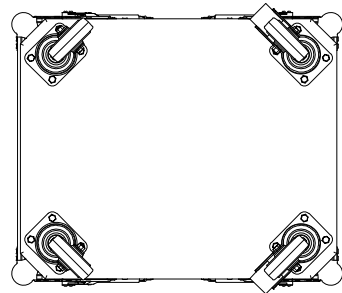
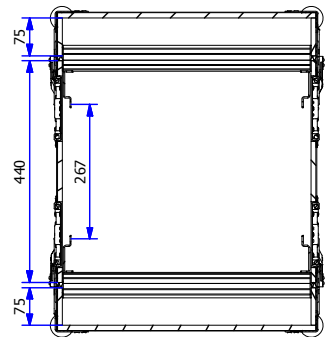
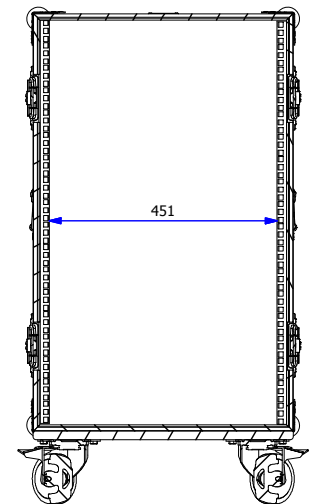


A-A (1 : 15)



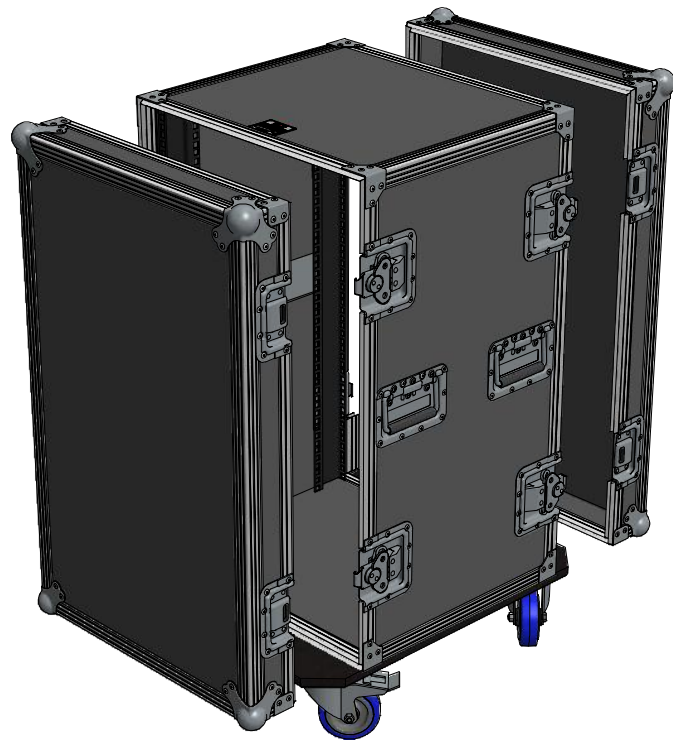
B-B (1 : 15)



External Dimensions (excluding hardware): 516w x 633D x 829H



Parts List	
QTY	DESCRIPTION
1	Volume
8	T-Bracket B1131
8	L-Bracket 4043
8	Large Ball Corner 4101
4	Recessed Flip Handle 34082 + Backplate 34093
1	18mm Ply Castor Board
2	100mm Castor 3470 swivel
2	100mm Castor 3477 braked
8	Large Padlocking Butterfly Catch L935/530/10
4	Double Full Hole Rackstrip R0883
1	Dragon Badge

Drawing no: F1918USTD	Issue/Sheet 1 / 1	Wall Thickness: 10mm	Wall Colour/Material: laminate/phenol faced ply	Hardware Details: See Parts List	Specifications: 1. Aluminium extrusions riveted through wall material every 100mm. 2. Bifurcated rivets to be used wherever possible. 3. All hardware zinc plated. 4. No foam. 5. Rack strips front + rear. 6. Estimated weight - 38.8kgs.	ALL DIMENSIONS IN MILLIMETRES 3/4 ANGLE PROJECTION DO NOT SCALE	THIS DRAWING IS COPYRIGHTED BY DRAGON CASES. IT MUST NOT BE COPIED OR DISCLOSED WITHOUT CONSENT OF THE OWNER	 DRAGON CASES in partnership with Nomad PLC tel: 01633 791590 fax: 01633 791531
Title: 18u Standrad Rack Flightcase with 440mm Sleeve	Drawn by: J.B.	Date: 09/10/2008	Company: AN Other					



External Dimensions (excluding hardware): 516w x 633D x 829H

Parts List	
QTY	DESCRIPTION
1	Volume
8	T-Bracket B1131
8	L-Bracket 4043
8	Large Ball Corner 4101
4	Recessed Flip Handle 34082 + Backplate 34093
1	18mm Ply Castor Board
2	100mm Castor 3470 swivel
2	100mm Castor 3477 braked
8	Large Padlocking Butterfly Catch L935/530/10
4	Double Full Hole Rackstrip R0883
1	Dragon Badge

Drawing no:	F1918USTD	Issue No:	1	Sheet:	2	Wall Thickness:	10mm	Wall Colour/Material:	laminate/phenol faced ply	Hardware Details:	See Parts List	Specifications:	<ol style="list-style-type: none"> 1. Aluminium extrusions riveted through wall material every 100mm. 2. Bifurcated rivets to be used wherever possible. 3. All hardware zinc plated. 4. No foam. 5. Rack strips front + rear. 6. Estimated weight - 38.8kgs. 	ALL DIMENSIONS IN MILLIMETRES  DO NOT SCALE	THIS DRAWING IS COPYRIGHTED BY DRAGON CASES. IT MUST NOT BE COPIED OR DISCLOSED WITHOUT CONSENT OF THE OWNER.	 DRAGON CASES in partnership with Nomad PLC tel: 01633 791590 fax: 01633 791531
Title:	18u Standard Rack Flightcase with 440mm Sleeve	Drawn by:	J.B.	Company:	AN Other	Date:	9/10/08									