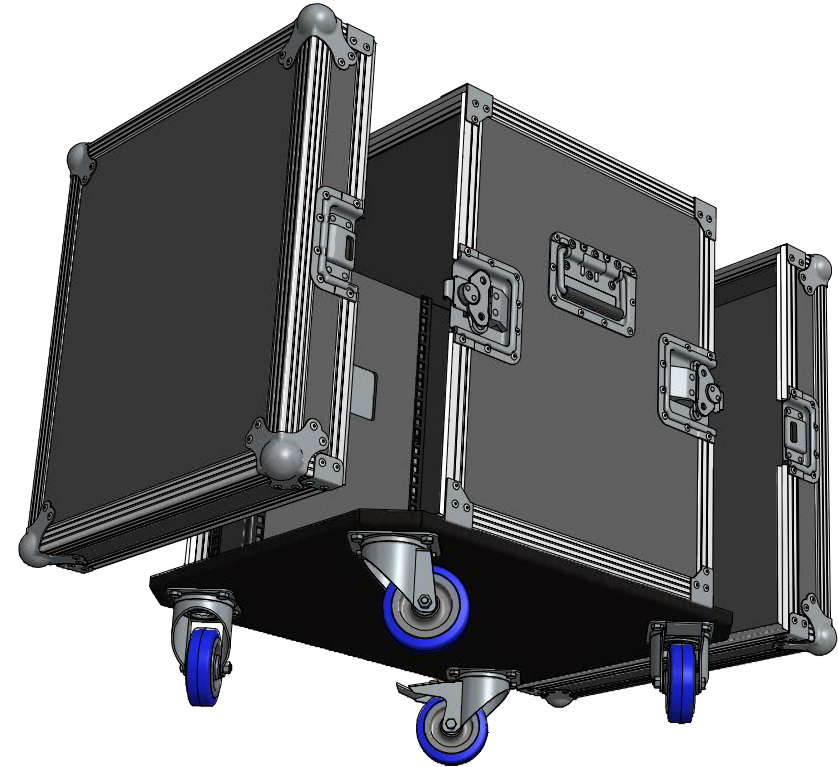
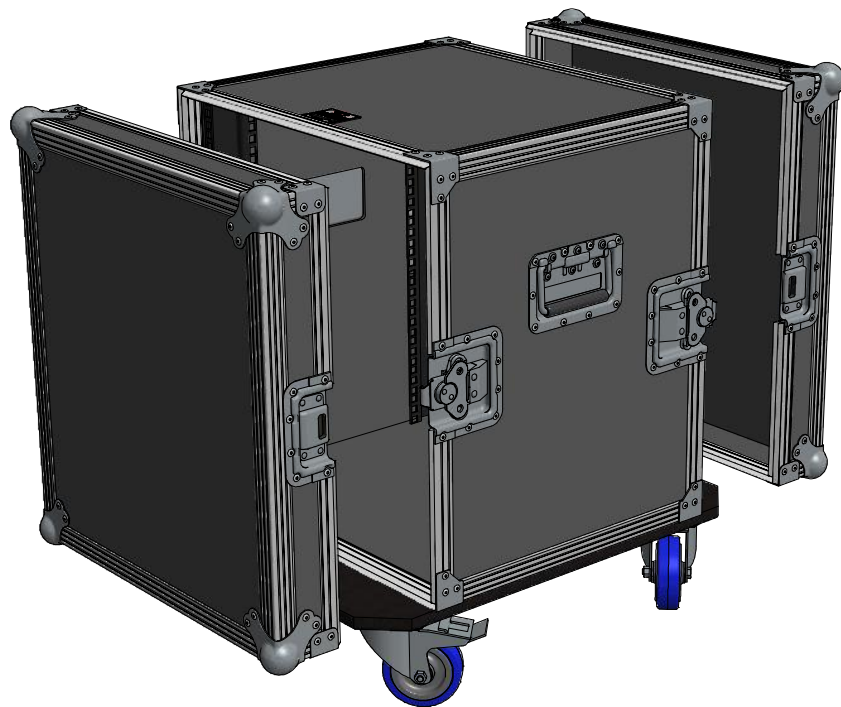


External Dimensions (excluding hardware): 519w x 636D x 565H



Parts List	
QTY	DESCRIPTION
8	T-Bracket B1131
8	L-Bracket 4043
8	Large Ball Corner 4101
2	Recessed Flip Handle 34082 + Backplate 34093
4	Large Padlocking Butterfly Catch L935/530/10
1	18mm Ply Castor Board
2	100mm Castor 3470 swivel
2	100mm Castor 3477 braked
4	Double Full Hole Rackstrip R0883
1	Dragon Badge

Drawing no: <b>F1912USTD</b>	Issue No: <b>1</b>	Sheet: <b>1</b>	Wall Thickness: <b>10mm</b>	Wall Colour/Material: <b>Laminate/phenol faced ply</b>	Hardware Details: <b>See parts list.</b>	Specifications: 1. Aluminium extrusions riveted through wall material every 100mm. 2. Bifurcated rivets to be used wherever possible. 3. All hardware zinc plated. 4. No foam. 5. Rack rails front + rear. 6. Estimated weight - 13.4kgs.	ALL DIMENSIONS IN MILLIMETRES 3rd ANGLE PROJECTION DO NOT SCALE	THIS DRAWING IS COPYRIGHTED BY DRAGON CASES. IT MUST NOT BE COPIED OR DISCLOSED WITHOUT CONSENT OF THE OWNER.	<b>DRAGON CASES</b> in partnership with Nomad PLC tel: 01633 791590 fax: 01633 791531
Title: <b>12u Standard Rack Flightcase with 440mm Sleeve</b>	Drawn by: <b>J.B.</b>	Company: <b>AN Other</b>	Date: <b>07/10/2008</b>						



External Dimensions (excluding hardware): 519w x 636D x 565H

Parts List	
QTY	DESCRIPTION
8	T-Bracket B1131
8	L-Bracket 4043
8	Large Ball Corner 4101
2	Recessed Flip Handle 34082 + Backplate 34093
4	Large Padlocking Butterfly Catch L935/530/10
1	18mm Ply Castor Board
2	100mm Castor 3470 swivel
2	100mm Castor 3477 braked
4	Double Full Hole Rackstrip R0883
1	Dragon Badge

Drawing no: <b>F1912USTD</b>	Issue No: <b>1</b>	Sheet: <b>1</b>	Wall Thickness: <b>10mm</b>	Wall Colour/Material: <b>Laminate/phenol faced ply</b>	Hardware Details: See parts list.	Specifications: 1. Aluminium extrusions riveted through wall material every 100mm. 2. Bifurcated rivets to be used wherever possible. 3. All hardware zinc plated. 4. No foam. 5. Rack rails front + rear. 6. Estimated weight - 13.4kgs.	ALL DIMENSIONS IN MILLIMETRES  DO NOT SCALE	THIS DRAWING IS COPYRIGHTED BY DRAGON CASES. IT MUST NOT BE COPIED OR DISCLOSED WITHOUT CONSENT OF THE OWNER	 <b>DRAGON CASES</b> in partnership with Nomad PLC tel: 01633 791590 fax: 01633 791531
Title: <b>12u Standard Rack Flightcase with 440mm Sleeve</b>	Drawn by: <b>J.B.</b>	Company: <b>AN Other</b>	Date: <b>7/10/08</b>						