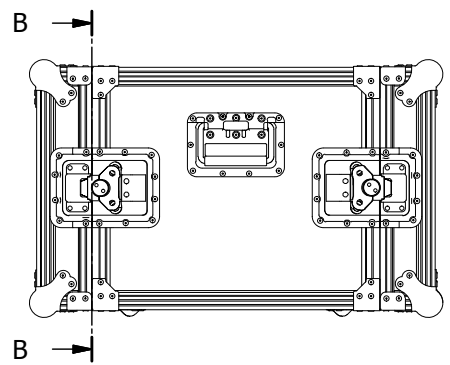
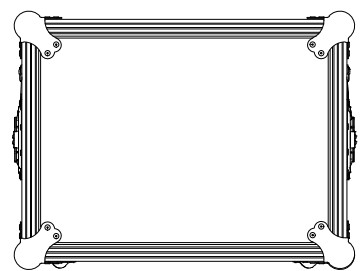
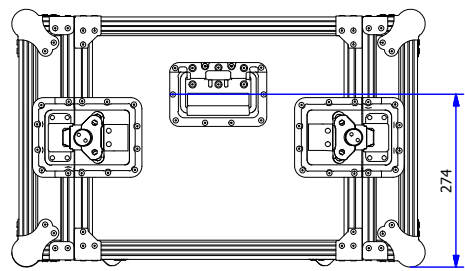
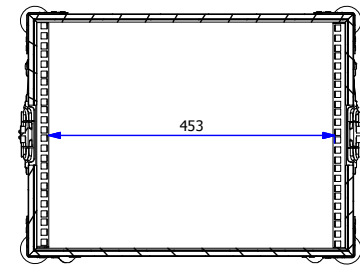
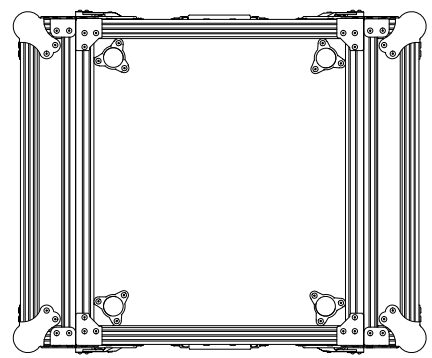
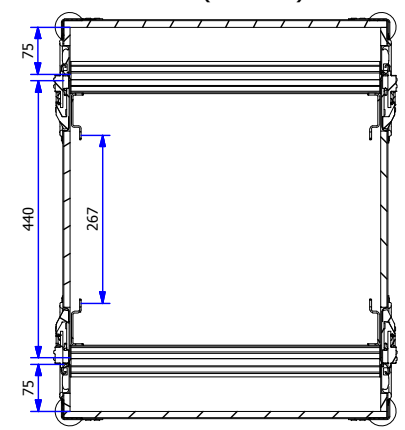


A-A (1 : 12)



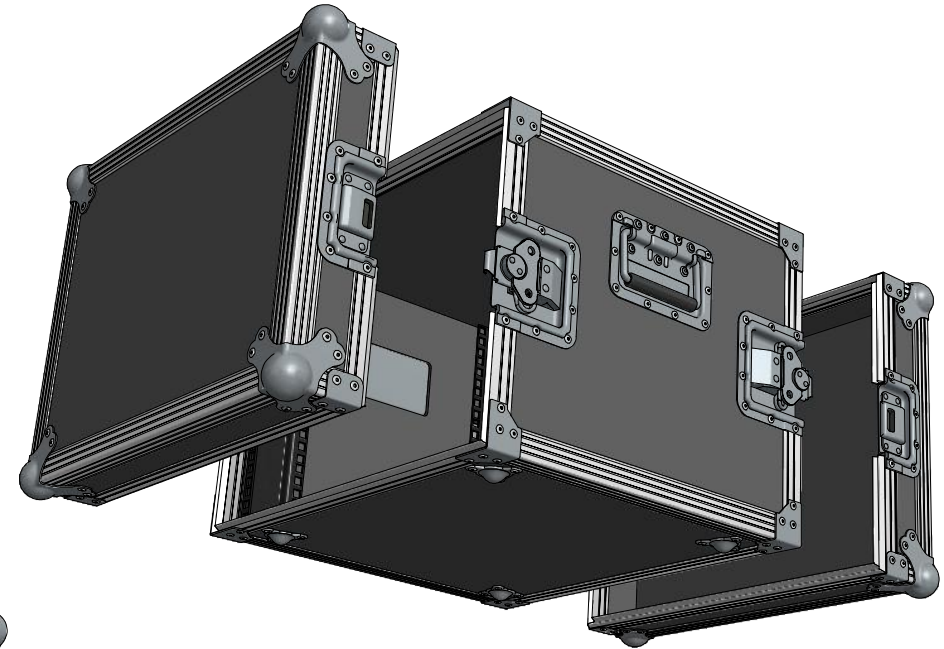
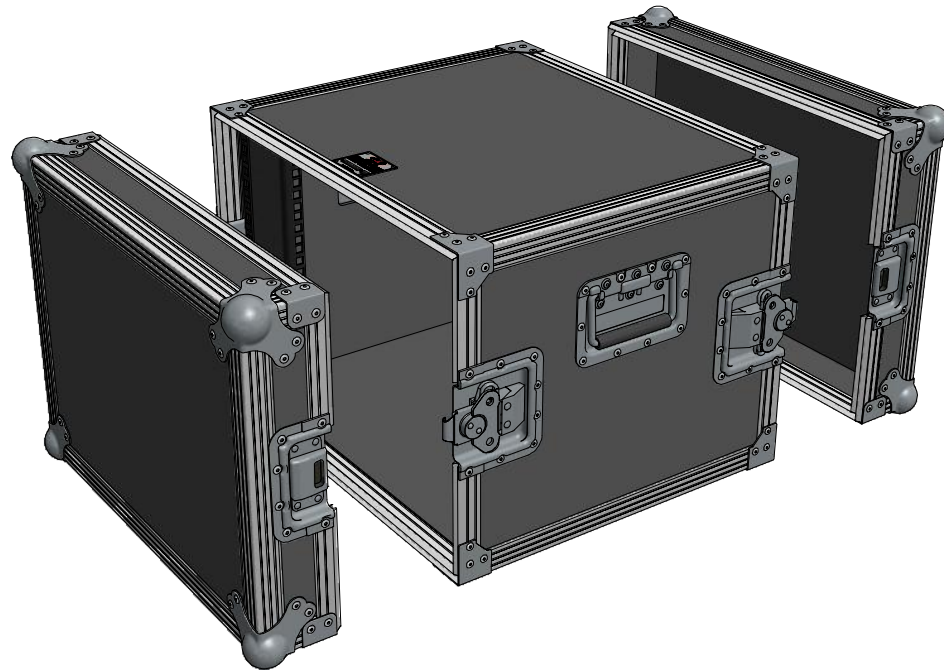
B-B (1 : 12)





External Dimensions (excluding hardware): 519w x 636D x 388H

Parts List	
QTY	DESCRIPTION
8	T-Bracket B1131
8	L-Bracket 4043
8	Large Ball Corner 4101
4	Large Padlocking Butterfly Catch L935/530/10
2	Recessed Flip Handle 34082 + Backplate 34093
4	Steel Foot 4936
4	Double Full Hole Rackstrip R0883
1	Dragon Badge

Drawing no: F198USTD	Issue No: 1	Sheet: 1	Wall Thickness: 10mm	Wall Colour/Material: Laminate/phenol faced ply	Hardware Details: See parts list.	Specifications: 1. Aluminium extrusions riveted through wall material every 100mm. 2. Bifurcated rivets to be used wherever possible. 3. All hardware zinc plated. 4. No foam. 5. Rack rails front + rear. 6. Estimated weight - 18.7kgs.	ALL DIMENSIONS IN MILLIMETRES 3rd ANGLE PROJECTION DO NOT SCALE	THIS DRAWING IS COPYRIGHTED BY DRAGON CASES. IT MUST NOT BE COPIED OR DISCLOSED WITHOUT CONSENT OF THE OWNER	DRAGON CASES in partnership with Nomad PLC tel: 01633 791590 fax: 01633 791531
Title: 8u Standrad Rack Flightcase with 440mm Sleeve		Drawn by: J.B.		Company: AN Other					
		Date: 07/10/2008							



External Dimensions (excluding hardware): 519w x 636D x 388H

Drawing no: F198USTD	Issue No: 1	Sheet: 3	Wall Thickness: 10mm	Wall Colour/Material: Laminate/phenol faced ply	Hardware Details: See parts list.	Specifications: 1. Aluminium extrusions riveted through wall material every 100mm. 2. Bifurcated rivets to be used wherever possible. 3. All hardware zinc plated. 4. No foam.	ALL DIMENSIONS IN MILLIMETRES  3rd ANGLE PROJECTION DO NOT SCALE	THIS DRAWING IS COPYRIGHTED BY DRAGON CASES. IT MUST NOT BE COPIED OR DISCLOSED WITHOUT CONSENT OF THE OWNER	 DRAGON CASES in partnership with Nomad PLC tel: 01633 791590 fax: 01633 791531
Title: 8u Standard Rack Flightcase with 440mm Sleeve			Drawn by: J.B.	Company: AN Other	Date: 7/10/08				