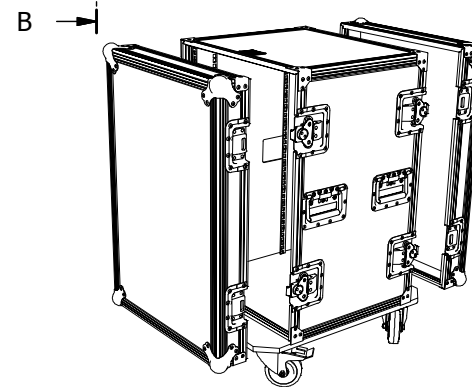
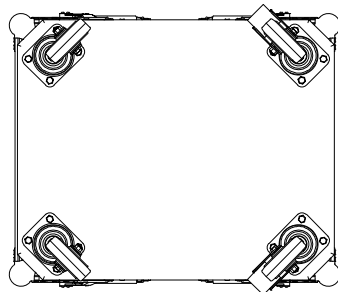
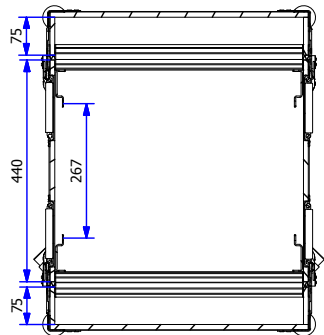



A-A (1 : 15)



External Dimensions (excluding hardware): 516w x 633D x 740H

Parts List	
QTY	DESCRIPTION
8	T-Bracket B1131
8	L-Bracket 4043
8	Large Ball Corner 4101
4	Recessed Flip Handle 34082 + Backplate 34093
8	Large Padlocking Butterfly Catch L935/530/10
1	18mm Ply Castor Board
2	100mm Castor 3470 swivel
2	100mm Castor 3477 braked
4	Double Full Hole Rackstrip R0883
1	Dragon Badge

Drawing no: F1916USTD	Issue/Sheet 1 / 1	Wall Thickness: 10mm	Wall Colour/Material: 10mm laminate/phenol faced ply	Hardware Details: See parts list.	Specifications: 1. Aluminium extrusions riveted through wall material every 100mm. 2. Bifurcated rivets to be used wherever possible. 3. All hardware zinc plated. 4. No foam. 5. Rack rails front + rear. 6. Estimated weight - 36.8kgs.	ALL DIMENSIONS IN MILLIMETRES 3+4 ANGLE PROJECTION DO NOT SCALE	THIS DRAWING IS COPYRIGHTED BY DRAGON CASES. IT MUST NOT BE COPIED OR DISCLOSED WITHOUT CONSENT OF THE OWNER	 DRAGON CASES in partnership with Nomad PLC tel: 01633 791590 fax: 01633 791531
Title: 16u Standrad Rack Flightcase with 440mm Sleeve	Drawn by: J.B.	Date: 09/10/2008	Company: AN Other					



External Dimensions (excluding hardware): 516w x 633D x 740H

Parts List	
QTY	DESCRIPTION
8	T-Bracket B1131
8	L-Bracket 4043
8	Large Ball Corner 4101
4	Recessed Flip Handle 34082 + Backplate 34093
8	Large Padlocking Butterfly Catch L935/530/10
1	18mm Ply Castor Board
2	100mm Castor 3470 swivel
2	100mm Castor 3477 braked
4	Double Full Hole Rackstrip R0883
1	Dragon Badge

Drawing no:	18324	Sheet:	1 2	Wall Thickness:	10mm	Wall Colour/Material:	10mm laminate/phenol faced ply	Hardware Details:	See parts list.	Specifications:	<ol style="list-style-type: none"> 1. Aluminium extrusions riveted through wall material every 100mm. 2. Bifurcated rivets to be used wherever possible. 3. All hardware zinc plated. 4. No foam. 5. Rack rails front + rear. 6. Estimated weight - 36.8kgs. 	ALL DIMENSIONS IN MILLIMETRES DO NOT SCALE	THIS DRAWING IS COPYRIGHTED BY DRAGON CASES. IT MUST NOT BE COPIED OR DISCLOSED WITHOUT CONSENT OF THE OWNER	 DRAGON CASES in partnership with Nomad PLC tel: 01633 791590 fax: 01633 791531
Title:	16u Standard Rack Flightcase with 440mm Sleeve			Drawn by:	J.B.	Company:	AN Other	Date:	9/10/08					