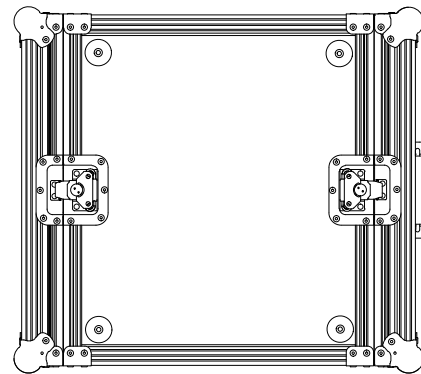
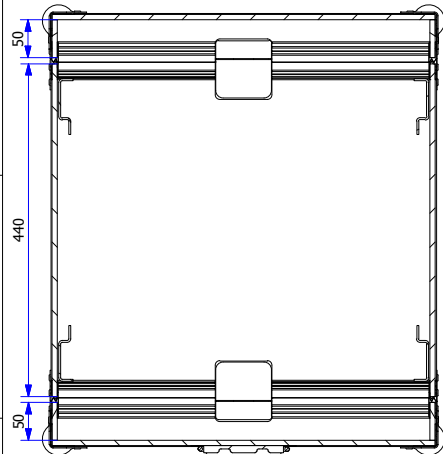
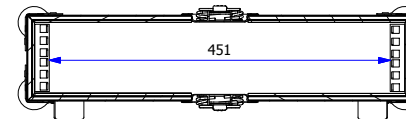


A-A (1 : 10)



B-B (1 : 10)



External Dimensions (excluding hardware): 510W x 573D x 114 H

Parts List	
QTY	DESCRIPTION
16	L-Bracket 4043
8	Medium Ball Corner 4120
4	Medium Padlocking Butterfly Catch L908/915/07
4	Double Full Hole Rackstrip R0883
4	38mm Rubber Foot
1	Surf Flip Handle H1052
1	Dragon Badge

Drawing no: **F192USTD**
 Title: **2u Standard 19" Rack Flightcase with 440mm Sleeve**

Figure: **1**
 Sheet: **1**

Wall Thickness: **7mm**
 Drawn by: **J.B.**
 Date: **08/10/2008**

Wall Colour/Material: **7mm Laminated ply/Astraboard**
 Company: **AN Other**

Hardware Details: **See parts list.**

Specifications:
 1. Aluminium extrusions riveted through wall material every 100mm.
 2. Bifurcated rivets to be used wherever possible.
 3. All hardware zinc plated.
 4. No foam.
 5. Front + rear rack rails.
 6. Estimated weight - 7.7kgs.

ALL DIMENSIONS IN MILLIMETRES

 DO NOT SCALE

THIS DRAWING IS COPYRIGHTED BY DRAGON CASES. IT MUST NOT BE COPIED OR DISCLOSED WITHOUT CONSENT OF THE OWNER

DRAGON CASES
 in partnership with Nomad PLC
 tel: 01633 791590
 fax: 01633 791531

1 2 3 4 5 6 7 8

A

A

B

B

C

C

D

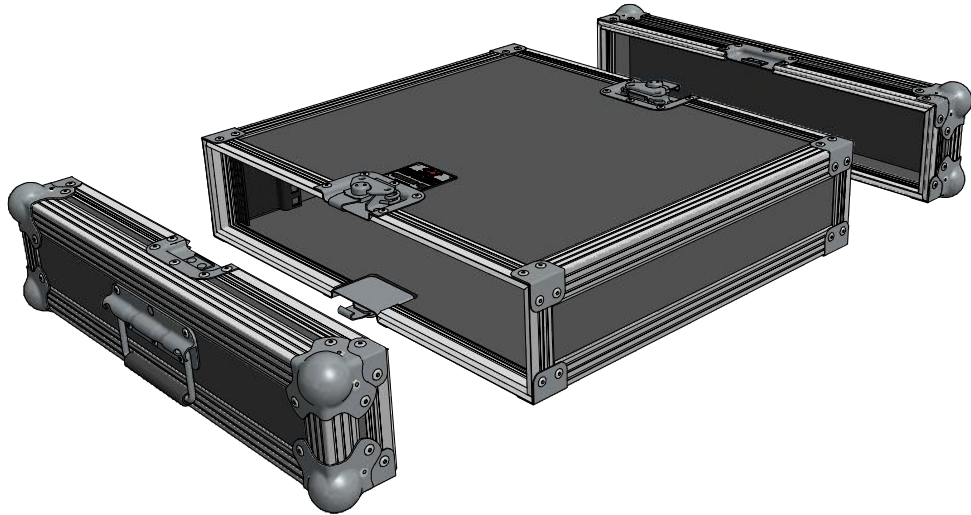
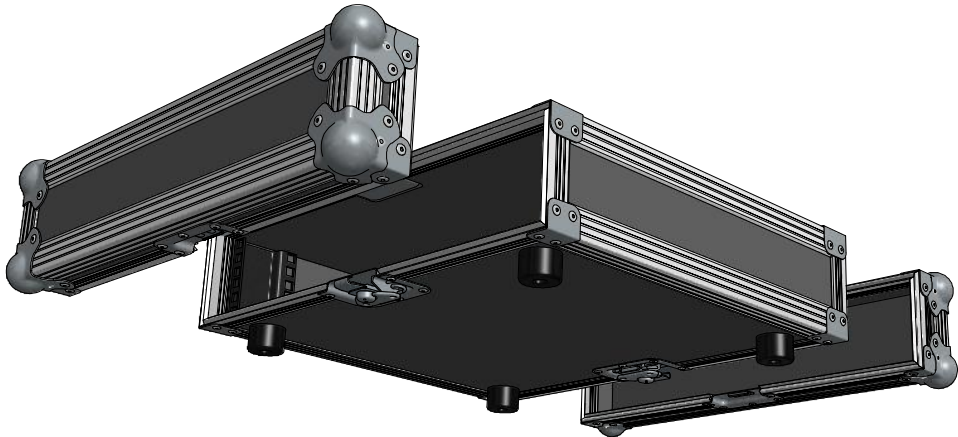
D

E

E

F

F



Parts List	
QTY	DESCRIPTION
16	L-Bracket 4043
8	Medium Ball Corner 4120
4	Medium Padlocking Butterfly Catch L908/915/07
4	Double Full Hole Rackstrip R0883
4	38mm Rubber Foot
1	Surf Flip Handle H1052
1	Dragon Badge

Drawing no: **F192USTD**

Figure: **1** Sheet: **3**

Wall Thickness: **7mm**

Wall Colour/Material: **7mm Laminated ply/Astraboard**

Hardware Details: **See parts list.**

Title: **2u Standard 19" Rack Flightcase with 440mm Sleeve**

Drawn by: **J.B.**
Date: **8/10/08**

Company: **AN Other**

- Specifications:
1. Aluminium extrusions riveted through wall material every 100mm.
 2. Bifurcated rivets to be used wherever possible.
 3. All hardware zinc plated.
 4. No foam.
 5. Front + rear rack rails.
 6. Estimated weight - 7.7kgs.

ALL DIMENSIONS IN MILLIMETRES
3/4 ANGLE PROJECTION
DO NOT SCALE

THIS DRAWING IS COPYRIGHTED BY DRAGON CASES. IT MUST NOT BE COPIED OR DISCLOSED WITHOUT CONSENT OF THE OWNER


DRAGON CASES
in partnership with Nomad PLC
tel: 01633 791590
fax: 01633 791531

1 2 3 4 5 6 7 8