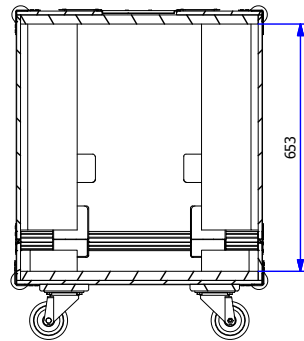
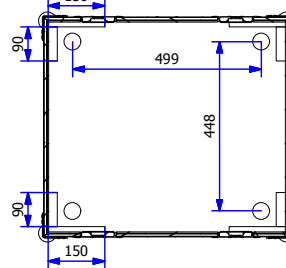


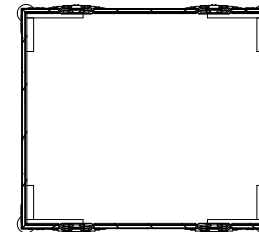
A-A (1 : 20)



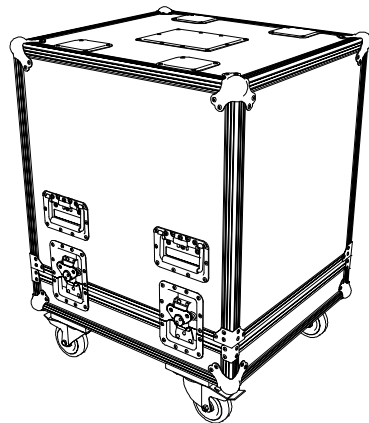
B-B (1 : 20)



C-C (1 : 20)




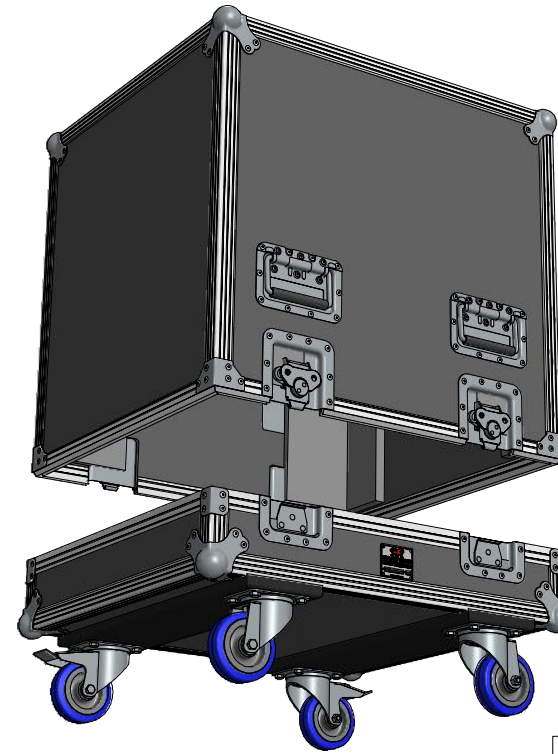
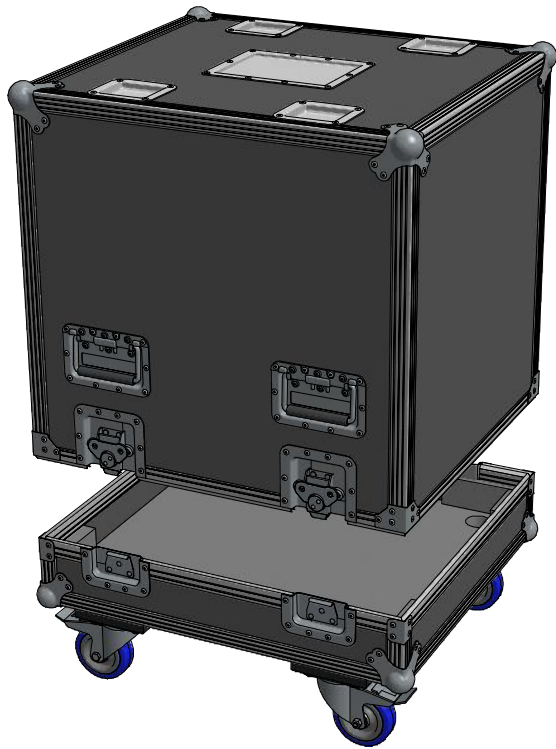
- To Take
 1x 14u Sleeve
 or
 1x 10u Sleeve/Tray + 1x 3u Sleeve/Tray
 oe
 2x 6u Sleeves
 or
 4x 3u Sleeves
 or
 2x 4u Sleeves + 1x 3u Sleeve/Tray



Parts List		
QTY	DESCRIPTION	TYPE
4	Foam Box Side	15mm LD18
4	Foam Box End	25mm LD18
1	Foam Box Base	25mm LD18
1	Foam Lid Base	25mm LD18
4	Foam Lid Side	12mm LD18
4	Foam Lid End	19mm LD18
4	L-Bracket 4043	
4	T-Bracket B1131	
8	Large Ball Corner 4101	
4	Large Padlocking Butterfly Catch L944/525/10PBZ	
4	Recessed Flip Handle 34082 + Backplate 34093	
1	5x7 Label Dish 88001D	
4	Castor Dish 38080	
2	Ply Runner Stained & Bevelled	
2	Castor 3470 swivel	
2	Castor 3477 braked	
1	Dragon Badge	

External Dimensions (excluding hardware): 652L x 581W x 726H


Drawing no: F6754 issue 2	Issue/Sheet: 2	Wall Thickness: 10mm	Wall Colour/Material: XXX	Hardware Details: Recessed butterfly catches. Recessed flip handles with rubber grips. Steel ball corners + L/T brackets. 100mm swivel castors (2 braked). Stacking dishes. 5x7 tour label holder.	Specifications: 1. Aluminium extrusions riveted through wall material every 100mm. 2. Bifurcated rivets to be used wherever possible. 3. All hardware zinc plated. 4. All foam LD18 Plastazote.	ALL DIMENSIONS IN MILLIMETRES 3/4 ANGLE PROJECTION DO NOT SCALE	THIS DRAWING IS COPYRIGHTED BY DRAGON CASES. IT MUST NOT BE COPIED OR DISCLOSED WITHOUT CONSENT OF THE OWNER	 DRAGON CASES in partnership with Nomad PLC tel: 01633 791590 fax: 01633 791531
Title: Large Rack Pack System Flightcase	Drawn by: JB	Date: 28/9/09	Company: XX					



To Take
 1x 14u Sleeve
 or
 1x 10u Sleeve/Tray + 1x 3u Sleeve/Tray
 oe
 2x 6u Sleeves
 or
 4x 3u Sleeves
 or
 2x 4u Sleeves + 1x 3u Sleeve/Tray

External Dimensions (excluding hardware): 652L x 581W x 726H

Parts List		
QTY	DESCRIPTION	TYPE
4	Foam Box Side	15mm LD18
4	Foam Box End	25mm LD18
1	Foam Box Base	25mm LD18
1	Foam Lid Base	25mm LD18
4	Foam Lid Side	12mm LD18
4	Foam Lid End	19mm LD18
4	L-Bracket 4043	
4	T-Bracket B1131	
8	Large Ball Corner 4101	
4	Large Padlocking Butterfly Catch L944/525/10PBZ	
4	Recessed Flip Handle 34082 + Backplate 34093	
1	5x7 Label Dish 88001D	
4	Castor Dish 38080	
2	Ply Runner Stained & Bevelled	
2	Castor 3470 swivel	
2	Castor 3477 braked	
1	Dragon Badge	

Drawing no: F6754 issue 2	Issue Sheet No: 2	Wall Thickness: 10mm	Wall Colour/Material: XXX	Hardware Details: Recessed butterfly catches. Recessed flip handles with rubber grips. Steel ball corners + L/T brackets. 100mm swivel castors (2 braked). Stacking dishes. 5x7 tour label holder.	Specifications: 1. Aluminium extrusions riveted through wall material every 100mm. 2. Bifurcated rivets to be used wherever possible. 3. All hardware zinc plated. 4. All foam LD18 Plastazote.	ALL DIMENSIONS IN MILLIMETRES 3+0 ANGLE PROJECTOR DO NOT SCALE	THIS DRAWING IS COPYRIGHTED BY DRAGON CASES. IT MUST NOT BE COPIED OR DISCLOSED WITHOUT CONSENT OF THE OWNER	 DRAGON CASES in partnership with Nomad PLC tel: 01633 791590 fax: 01633 791531
Title: Large Rack Pack System Flightcase		Drawn by: JB	Company: XX	Date: 28/9/09				