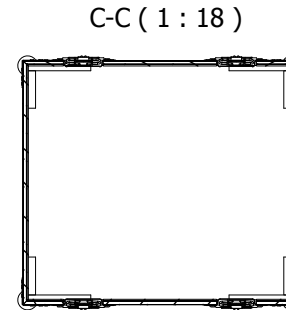
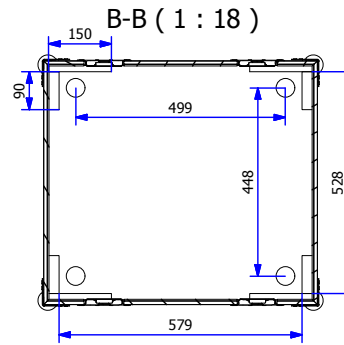
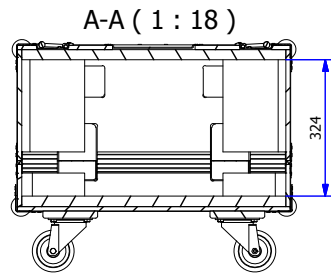
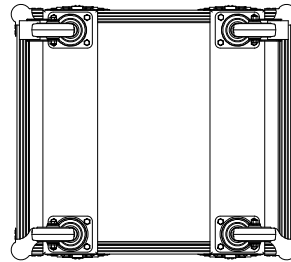
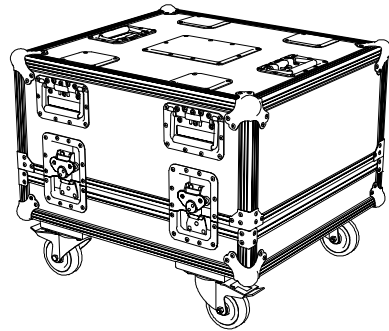
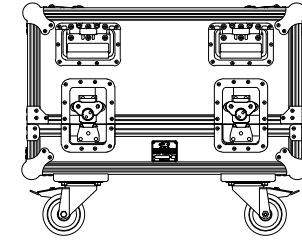
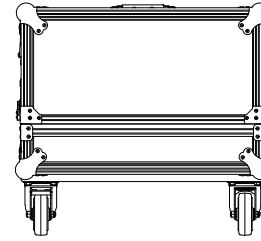
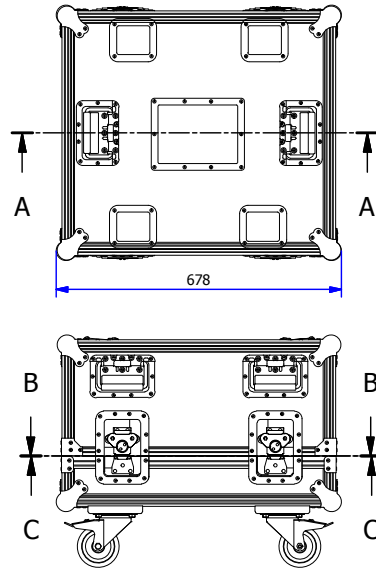
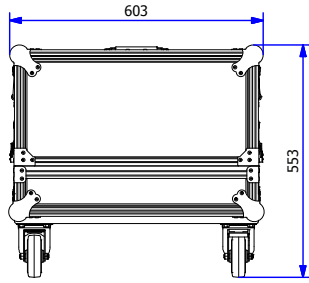


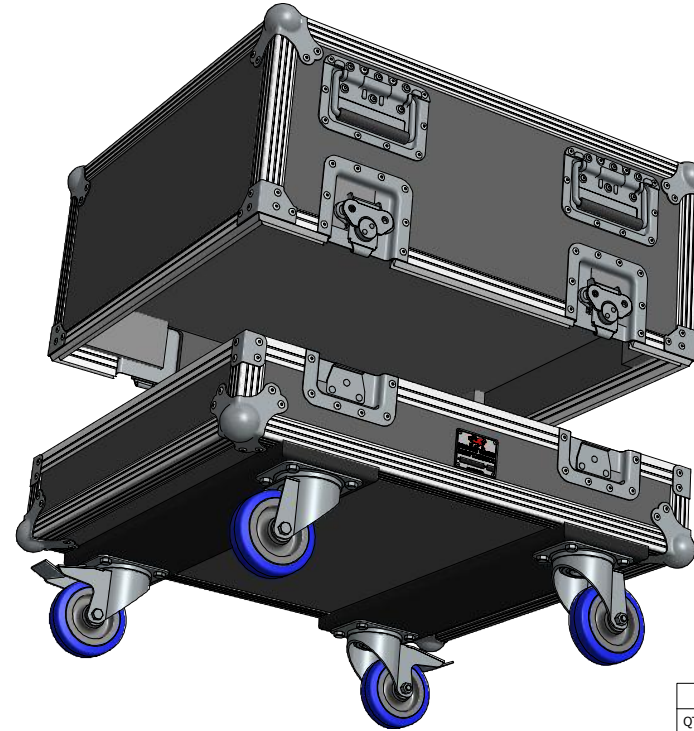
To Take  
2x 3u Sleeve/Tray  
or  
1x 6u Sleeve



External Dimensions (excluding hardware): 652L x 581W x 397H

Parts List		
QTY	DESCRIPTION	TYPE
4	Foam Box Side	15mm LD18
4	Foam Box End	25mm LD18
1	Foam Box Base	25mm LD18
1	Foam Lid Base	25mm LD18
4	Foam Lid Side	12mm LD18
4	Foam Lid End	19mm LD18
4	L-Bracket 4043	
4	T-Bracket B1131	
8	Large Ball Corner 4101	
4	Large Padlocking Butterfly Catch L944/525/10PBZ	
6	Recessed Flip Handle 34082 + Backplate 34093	
1	5x7 Label Dish 88001D	
4	Castor Dish 38080	
2	Ply Runner Stained & Bevelled	
2	Castor 3470 swivel	
2	Castor 3477 braked	
1	Dragon Badge	


Drawing no: <b>F6896</b>	Figure Sheet No: <b>1</b>	Wall Thickness: <b>10mm</b>	Wall Colour/Material: <b>XXX</b>	Hardware Details: Recessed butterfly catches. Recessed flip handles with rubber grips. Steel ball corners + L/T brackets. 100mm swivel castors (2 braked). Stacking dishes. 5x7 tour label dish.	Specifications: 1. Aluminium extrusions riveted through wall material every 100mm. 2. Bifurcated rivets to be used wherever possible. 3. All hardware zinc plated. 4. All foam LD18 Plastazote.	ALL DIMENSIONS IN MILLIMETRES  DO NOT SCALE	THIS DRAWING IS COPYRIGHTED BY DRAGON CASES. IT MUST NOT BE COPIED OR DISCLOSED WITHOUT CONSENT OF THE OWNER	 <b>DRAGON CASES</b> in partnership with Nomad PLC tel: 01633 791590 fax: 01633 791531
Title: <b>Small Rack Pack System Flightcase</b>		Drawn by: <b>JB</b>	Company: <b>XX</b>					
		Date: <b>2/11/09</b>						



To Take  
2x 3u Sleeve/Tray  
or  
1x 6u Sleeve

External Dimensions (excluding hardware): 652L x 581W x 397H

Parts List		
QTY	DESCRIPTION	TYPE
4	Foam Box Side	15mm LD18
4	Foam Box End	25mm LD18
1	Foam Box Base	25mm LD18
1	Foam Lid Base	25mm LD18
4	Foam Lid Side	12mm LD18
4	Foam Lid End	19mm LD18
4	L-Bracket 4043	
4	T-Bracket B1131	
8	Large Ball Corner 4101	
4	Large Padlocking Butterfly Catch L944/525/10PBZ	
6	Recessed Flip Handle 34082 + Backplate 34093	
1	5x7 Label Dish 88001D	
4	Castor Dish 38080	
2	Ply Runner Stained & Bevelled	
2	Castor 3470 swivel	
2	Castor 3477 braked	
1	Dragon Badge	

Drawing no:	Issue Sheet No:	Wall Thickness:	Wall Colour/Material:	Hardware Details:	Specifications:	ALL DIMENSIONS IN MILLIMETRES  DO NOT SCALE	THIS DRAWING IS COPYRIGHTED BY DRAGON CASES. IT MUST NOT BE COPIED OR DISCLOSED WITHOUT CONSENT OF THE OWNER. <b>DRAGON CASES</b> in partnership with Nomad PLC tel: 01633 791590 fax: 01633 791531	
F6896	1	10mm	XXX	Recessed butterfly catches. Recessed flip handles with rubber grips. Steel ball corners + L/T brackets. 100mm swivel castors (2 braked). Stacking dishes. 5x7 tour label dish.	1. Aluminium extrusions riveted through wall material every 100mm. 2. Bifurcated rivets to be used wherever possible. 3. All hardware zinc plated. 4. All foam LD18 Plastazote.			
Title:		Drawn by:	Company:					
Small Rack Pack System Flightcase		JB	XX					
		Date:						
		2/11/09						