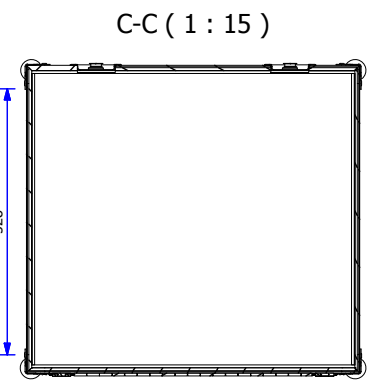
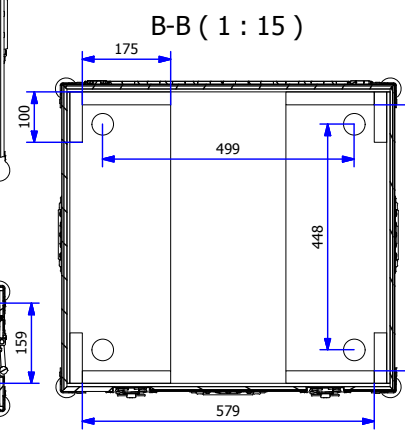
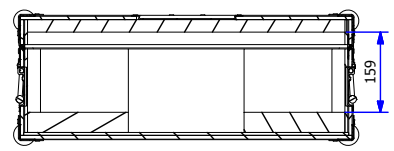
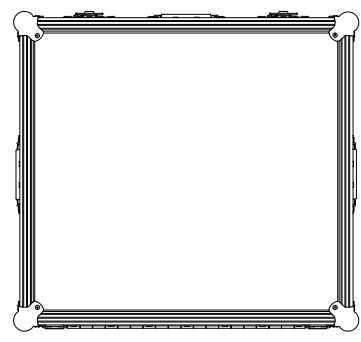
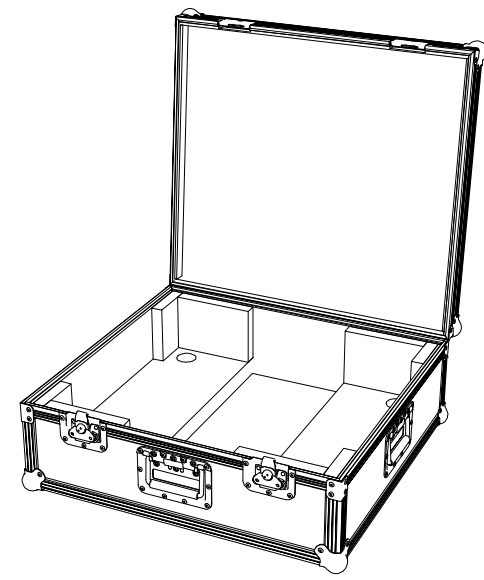
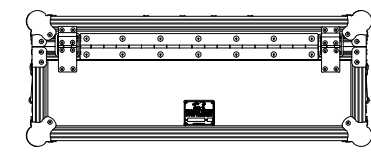
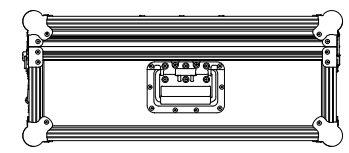
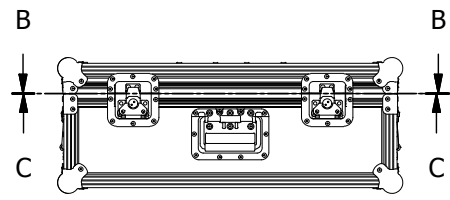
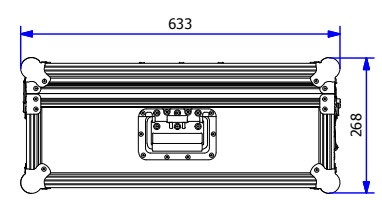
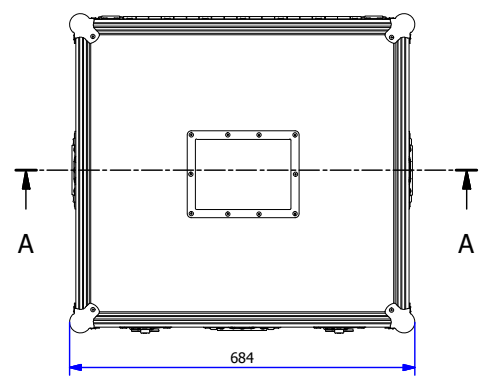


To Take
1x 3u Sleeve/Tray




A-A (1 : 15)

B-B (1 : 15)

C-C (1 : 15)

External Dimensions (excluding hardware): 661L x 610W x 247H

Parts List			
DESCRIPTION	QTY	FOAM	TYPE
Foam Box Bottom	1	6 mm	LD18
Foam Box Back Side	1	6 mm	LD18
Foam Box Front Side	1	6 mm	LD18
Foam Box Right End	1	6 mm	LD18
Foam Box Left End	1	6 mm	LD18
Foam Lid Front Side	1	6 mm	LD18
Foam Lid Back Side	1	6 mm	LD18
Foam Lid Left End	1	6 mm	LD18
Foam Lid Right End	1	6 mm	LD18
Foam Lid Bottom	1	25 mm	LD18
Foam Base Block	2	40 mm	LD18
Foam End Block	4	25 mm	LD18
Foam Side Block	4	25 mm	LD18
L-Bracket 4043	8		
Medium Ball Corner 4120	8		
Recessed Flip Handle 34082	3		
Medium Padlocking	2		
Butterfly CatchL908/915/07			
5x7 Label Dish 88001D	1		
HD Strut Hinge 2524	2		
Piano Hinge 2606	1		
Dragon Badge	1		

Drawing no: F6767	Figure/Sheet No: 1	Wall Thickness: 7mm	Wall Colour/Material: XXX	Hardware Details: Piano hinged lid with stays. Recessed butterfly catches. Recessed flip handles with rubber grips. Steel ball corners + L/T brackets. 5x7 tour label dish.	Specifications: 1. Aluminium extrusions riveted through wall material every 100mm. 2. Bifurcated rivets to be used wherever possible. 3. All hardware zinc plated. 4. All foam LD18 Plastazote unless otherwise specified.	ALL DIMENSIONS IN MILLIMETRES 3/4 ANGLE PROJECTION DO NOT SCALE	THIS DRAWING IS COPYRIGHTED BY DRAGON CASES. IT MUST NOT BE COPIED OR DISCLOSED WITHOUT CONSENT OF THE OWNER	 DRAGON CASES in partnership with Nomad PLC tel: 01633 791590 fax: 01633 791531
Title: Rack Pack Hand System Flightcase mk 1	Drawn by: JB	Date: 1/9/09	Company: XX					



Parts List			
DESCRIPTION	QTY	FOAM	TYPE
Foam Box Bottom	1	6 mm	LD18
Foam Box Back Side	1	6 mm	LD18
Foam Box Front Side	1	6 mm	LD18
Foam Box Right End	1	6 mm	LD18
Foam Box Left End	1	6 mm	LD18
Foam Lid Front Side	1	6 mm	LD18
Foam Lid Back Side	1	6 mm	LD18
Foam Lid Left End	1	6 mm	LD18
Foam Lid Right End	1	6 mm	LD18
Foam Lid Bottom	1	25 mm	LD18
Foam Base Block	2	40 mm	LD18
Foam End Block	4	25 mm	LD18
Foam Side Block	4	25 mm	LD18
L-Bracket 4043	8		
Medium Ball Corner 4120	8		
Recessed Flip Handle 34082	3		
Medium Padlocking	2		
Butterfly CatchL908/915/07			
5x7 Label Dish 88001D	1		
HD Strut Hinge 2524	2		
Piano Hinge 2606	1		
Dragon Badge	1		

To Take
1x 3u Sleeve/Tray

External Dimensions (excluding hardware): 661L x 610W x 247H

Drawing no: F6767	Issue/Sheet No: 1	Wall Thickness: 7mm	Wall Colour/Material: XXX	Hardware Details: Piano hinged lid with stays. Recessed butterfly catches. Recessed flip handles with rubber grips. Steel ball corners + L/T brackets. 5x7 tour label dish.	Specifications: 1. Aluminium extrusions riveted through wall material every 100mm. 2. Bifurcated rivets to be used wherever possible. 3. All hardware zinc plated. 4. All foam LD18 Plastazote unless otherwise specified.	ALL DIMENSIONS IN MILLIMETRES DO NOT SCALE	THIS DRAWING IS COPYRIGHTED BY DRAGON CASES. IT MUST NOT BE COPIED OR DISCLOSED WITHOUT CONSENT OF THE OWNER	 DRAGON CASES in partnership with Nomad PLC tel: 01633 791590 fax: 01633 791531
Title: Rack Pack Hand System Flightcase mk 1		Drawn by: JB	Company: XX	Date: 1/9/09				