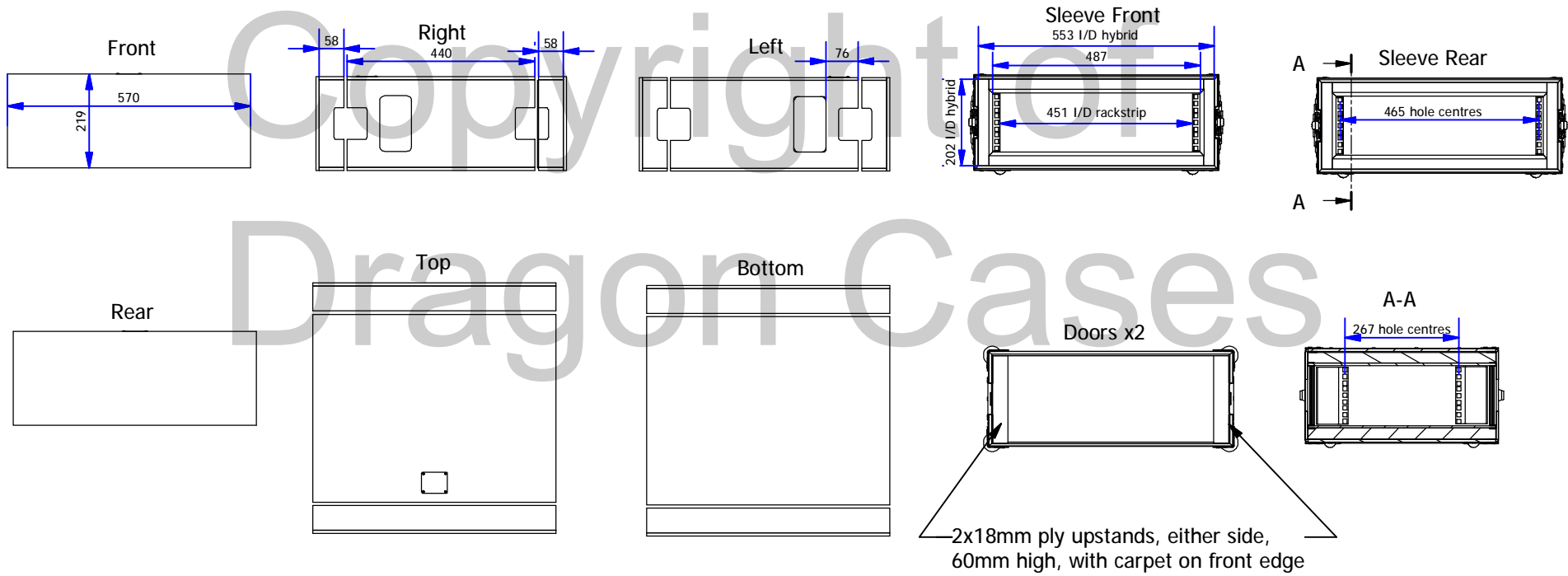


Birch ply sleeve with Aluminium Capping encased in 25mm high density foam

Panels and Interior Details



External Dimensions (excluding hardware): 573W x 589D x 222H

Drawing no: F193UFS	Issue No: 1	Sheet: 1	Wall Thickness: 7mm	Wall Colour/Material: Black Laminated Ply	Hardware Details: Recessed butterfly catches. Recessed flip handles with rubber grips. Steel ball corners + L/T brackets.	Specifications: 1. Aluminium extrusions riveted through wall material every 100mm. 2. Bifurcated rivets to be used wherever possible. 3. All hardware zinc plated. 4. 6mm Ply enclosure suspended with 25mm high density foam. 5. 3 units of Steel punched rackstrips front + rear	ALL DIMENSIONS IN MILLIMETRES 3rd ANGLE PROJECTION DO NOT SCALE	THIS DRAWING IS COPYRIGHTED BY DRAGON CASES. IT MUST NOT BE COPIED OR DISCLOSED WITHOUT CONSENT OF THE OWNER	 DRAGON CASES in partnership with Nomad PLC tel: 01633 791590 fax: 01633 791531
Title: 3u Foam Suspended Rack Flightcase			Drawn by: J.B.	Company: AN Other					
			Date: 29/05/2008						