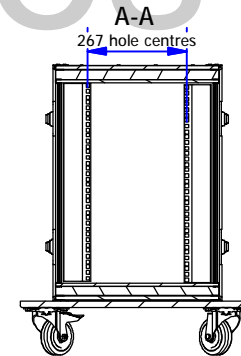
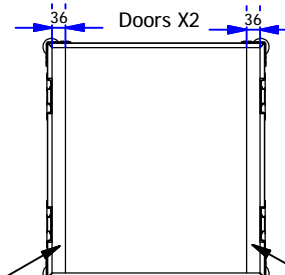
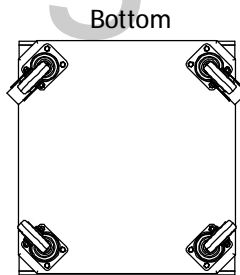
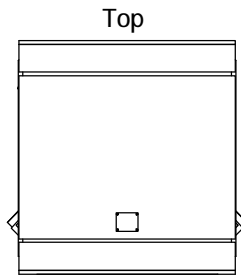
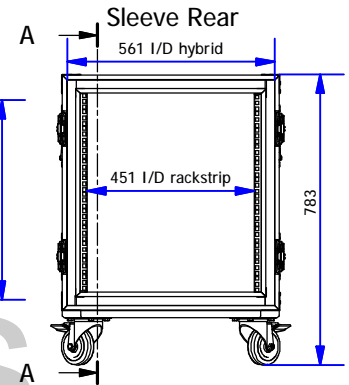
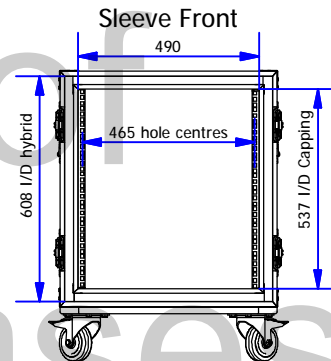
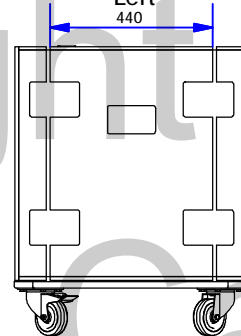
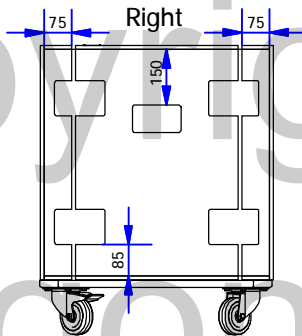
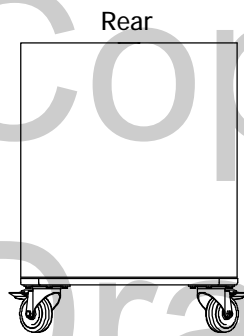
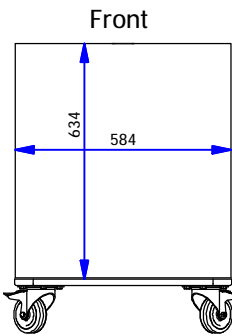



Birch ply sleeve with Aluminium Capping encased in 25mm High Density foam

Panel & Interior Details



2 x 18mm ply upstands, either side, 80mm high, with carpet on front edge

External Dimensions (excluding hardware): 587W x 633D x 634H

Drawing no: F1912UFS		Issue No: 1	Sheet No: 1	Wall Thickness: 10mm	Wall Colour/Material: Laminate/Phenol faced ply	Hardware Details: Recessed butterfly catches. Recessed flip handles with rubber grips. Steel ball corners + L/T brackets. Steel punched rackstrips front + rear. 100mm swivel castors (2 braked)	Specifications: 1. Aluminium extrusions riveted through wall material every 100mm. 2. Bifurcated rivets to be used wherever possible. 3. All hardware zinc plated. 4. 9mm Ply enclosure with aluminium capping suspended with 25mm high density foam.	ALL DIMENSIONS IN MILLIMETRES 3rd ANGLE PROJECTION DO NOT SCALE	THIS DRAWING IS COPYRIGHTED BY DRAGON CASES. IT MUST NOT BE COPIED OR DISCLOSED WITHOUT CONSENT OF THE OWNER	 DRAGON CASES In partnership with Nomad PLC tel: 01633 791590 fax: 01633 791531
Title: 12u Foam Suspended Rack Flightcase with 440mm Sleeve		Drawn by: IC	Date: 28/10/2008	Company: AN Other						